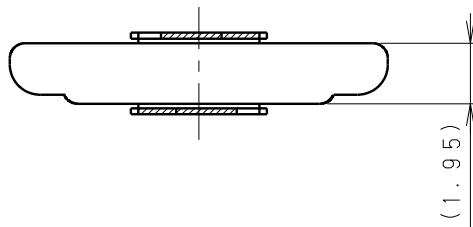
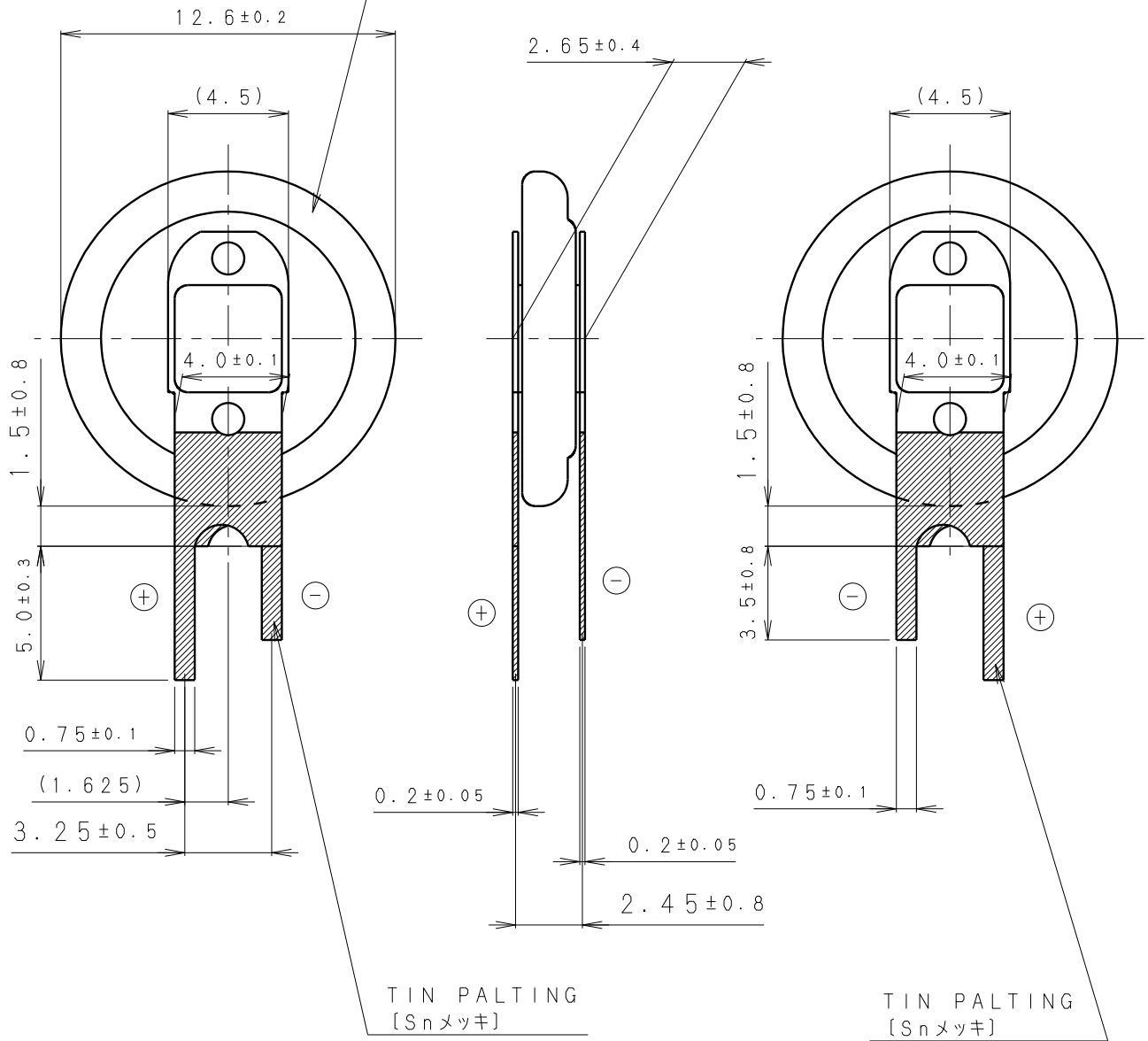


INSULATOR (BROWN)
 [絶縁チューブ* (茶色)]



* NOTE [注記]

- TAB PULLING STRENGTH OVER 19.6N
 [端子溶接強度: 19.6N以上]
- TAB MATERIAL: STAINLESS STEEL WITH TIN PLATING [錫メッキ]
 [端子材料: 基材 ステンレス/表面 部分Snメッキ]
- (): REFERENCE DIMENSION AND ANGLE
 [() 寸法、角度は参考値]

PRODUCT NO.	VL-1220/VCN	SCALE	
		4:1	
DRAWING NO.	JEVA1Z	REV.	
		0	