

## Features & Benefits

- High energy density
- Long, stable power and long run time
- Ideal for portable communications, portable computing, DSC and Camcorder.

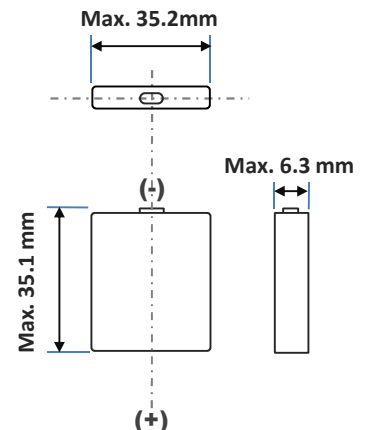
\* At temperatures below 10°C, charge at a 0.35C rate.

## Specifications

|                               |                                                                         |
|-------------------------------|-------------------------------------------------------------------------|
| Rated capacity <sup>(1)</sup> | Min. 1025mAh                                                            |
| Capacity <sup>(2)</sup>       | Min. 1050mAh<br>Typ. 1100mAh                                            |
| Nominal voltage               | 3.6V                                                                    |
| Charging                      | CC-CV, Std. 735mA, 4.20V, 4.0 hrs                                       |
| Weight (max.)                 | 17.6g                                                                   |
| Temperature                   | Charge*: 0 to +45°C<br>Discharge: -20 to +60°C<br>Storage: -20 to +50°C |
| Energy density                | Volumetric: 474 Wh/l<br>Gravimetric: 210 Wh/kg                          |

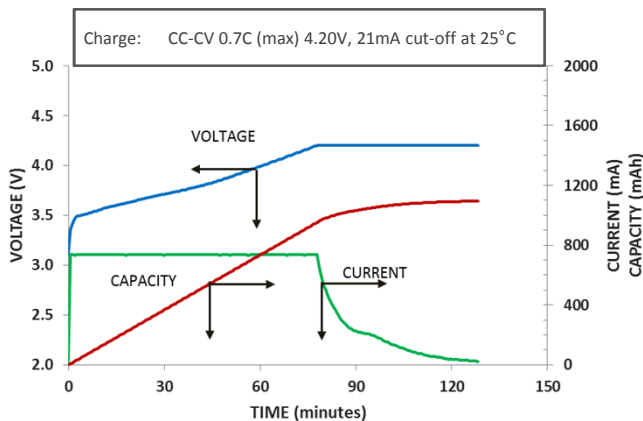
<sup>(1)</sup> At 20°C <sup>(2)</sup> At 25°C

## Dimensions

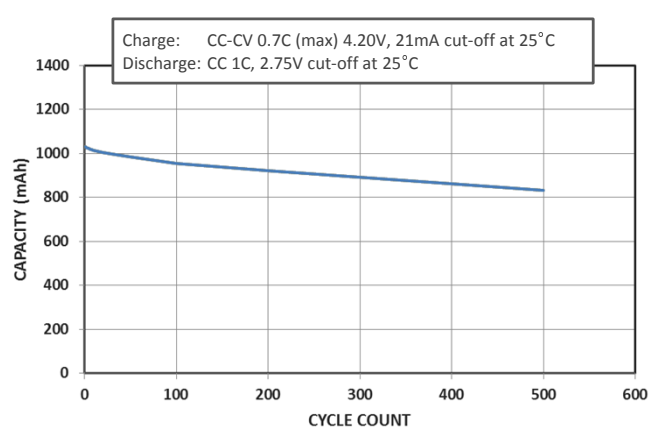


For Reference Only

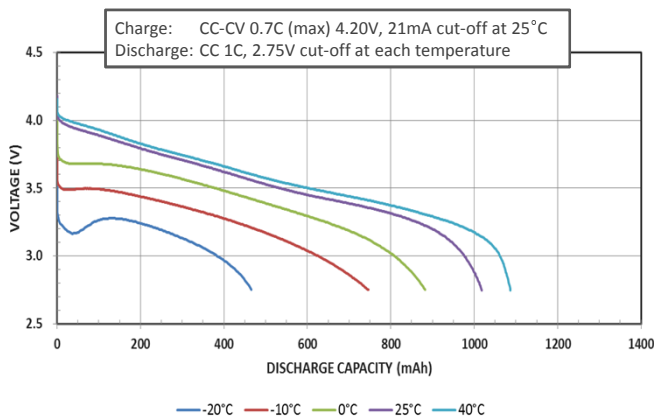
## Charge Characteristics



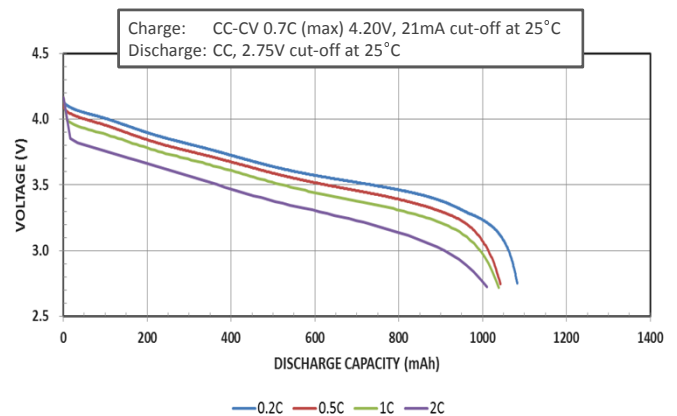
## Cycle Life Characteristics



## Discharge Characteristics (by temperature)



## Discharge Characteristics (by rate of discharge)



The data in this document is for descriptive purposes only and is not intended to make or imply any guarantee or warranty.