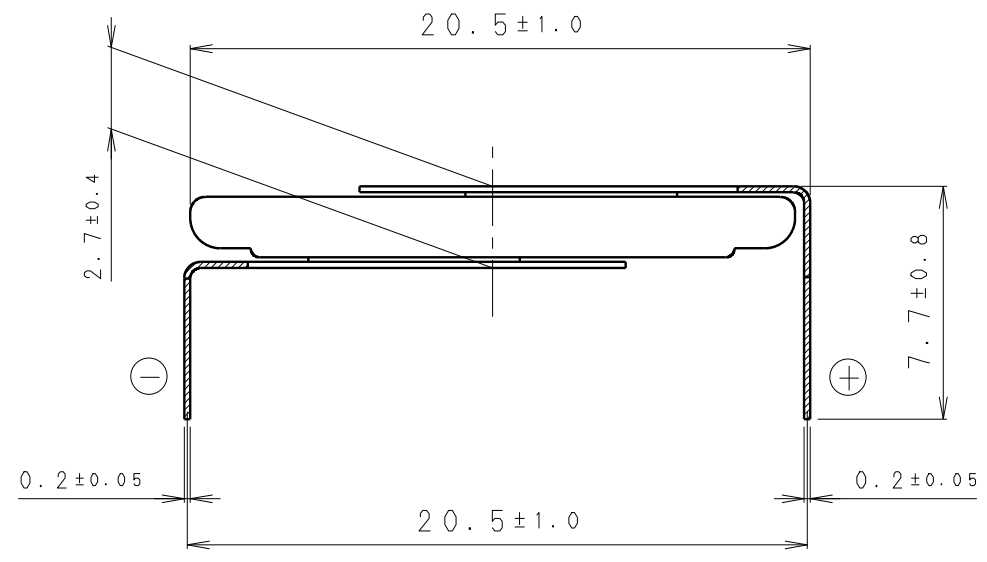
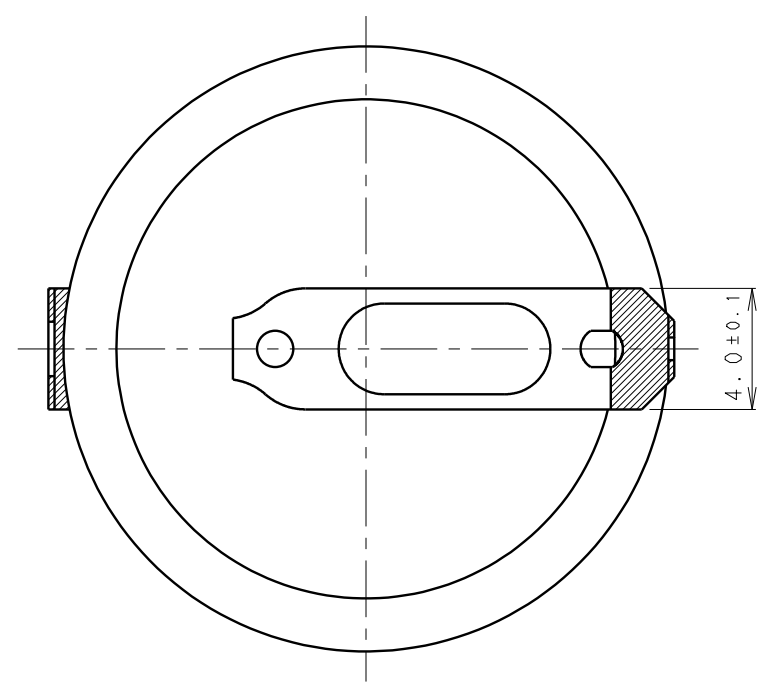
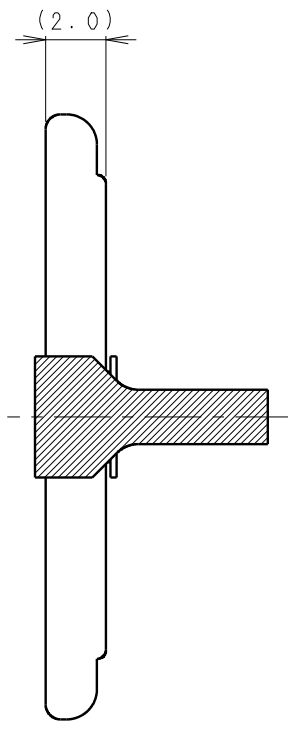
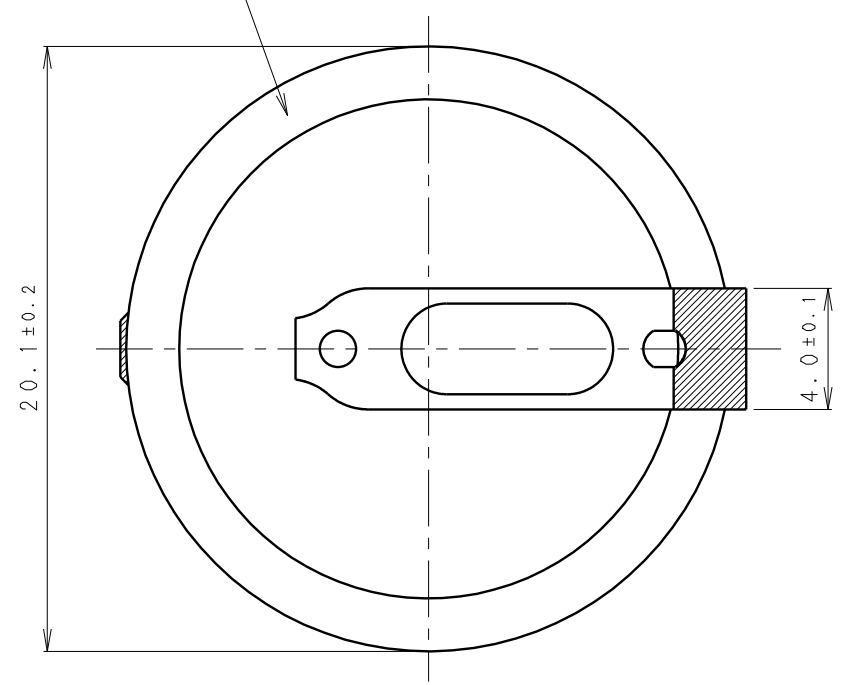
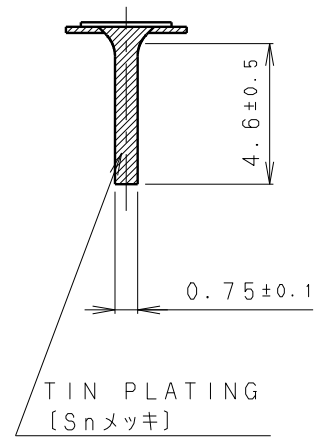
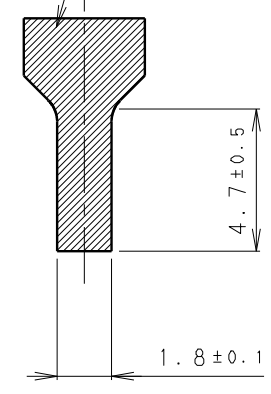


INSULATOR (LAVENDER)
 [絶縁チューブ (ラベンター色)]



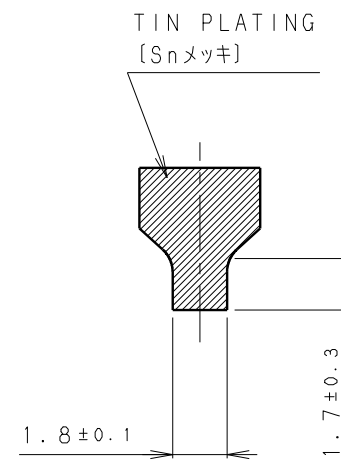
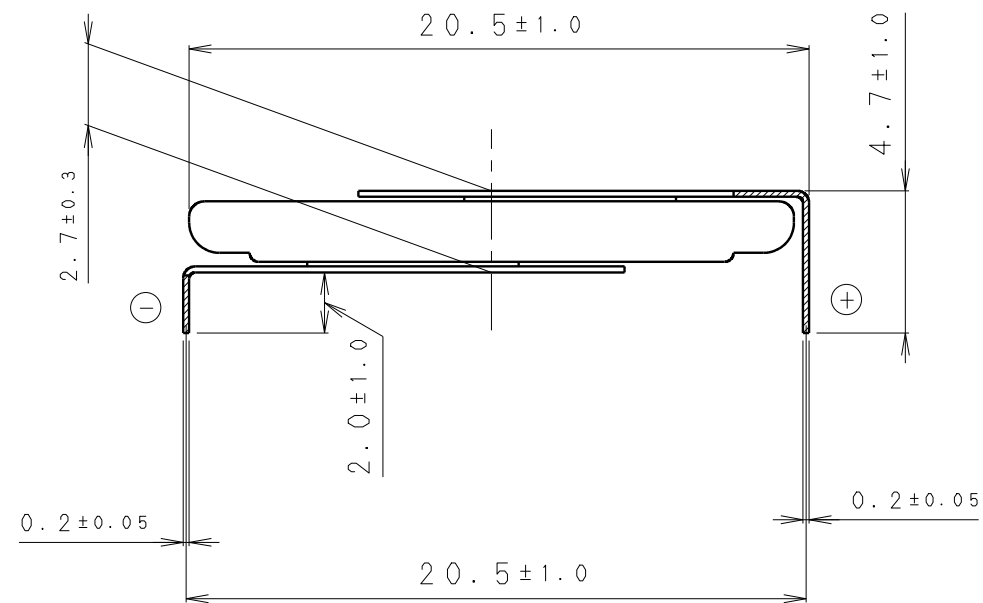
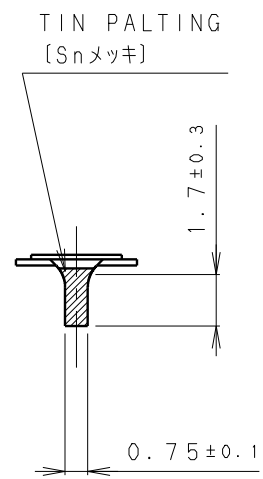
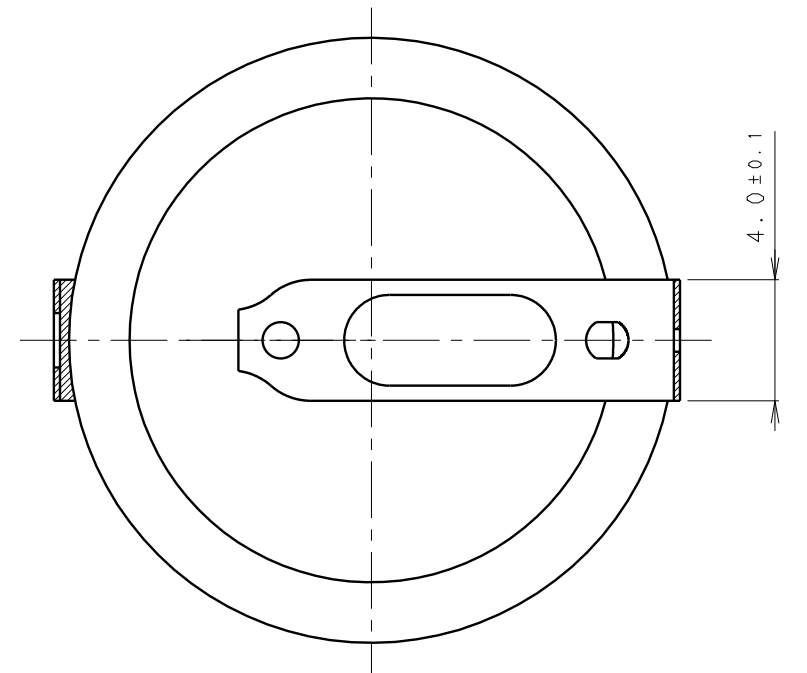
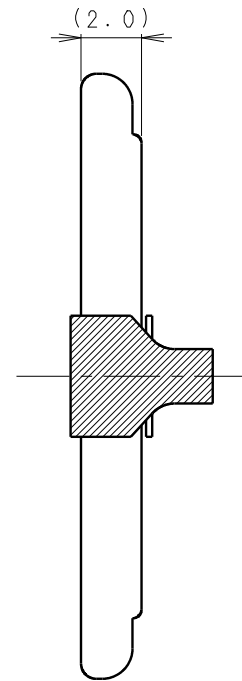
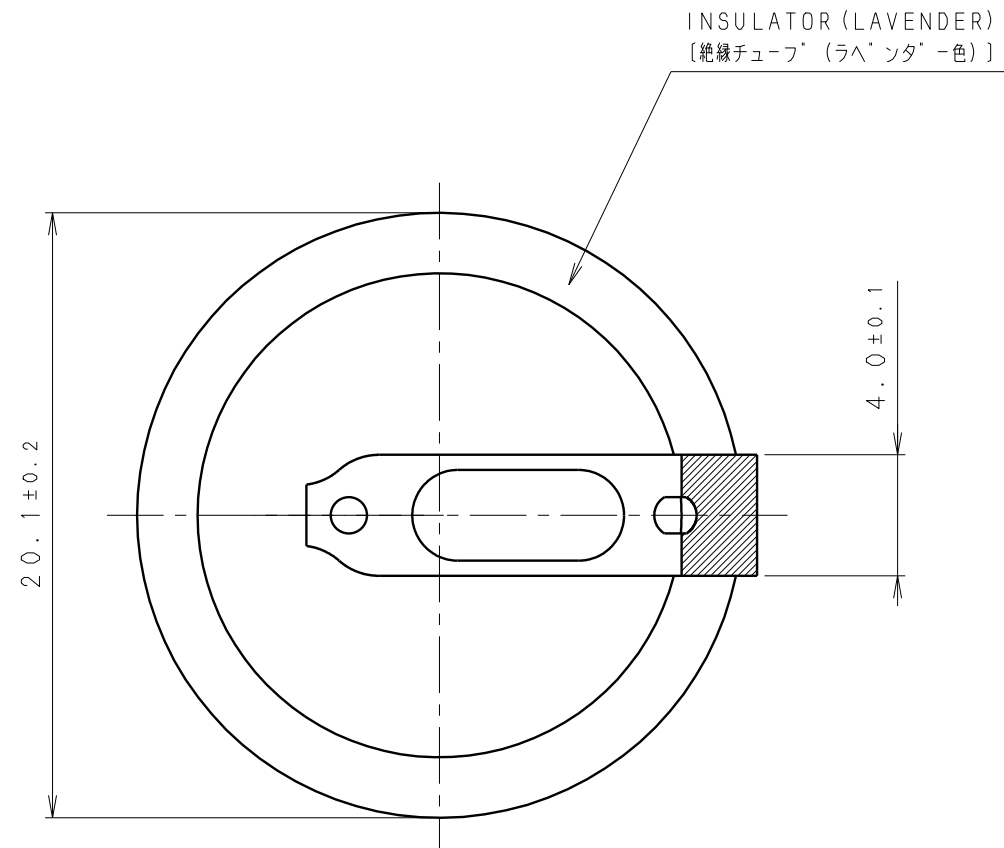
TIN PLATING
 [Snメッキ]



TIN PLATING
 [Snメッキ]

- * NOTE [注記]
- TAB PULLING STRENGTH OVER 19.6N [端子溶接強度: 19.6N以上]
 - TAB MATERIAL: STAINLESS STEEL WITH TIN PLATING [端子材料: 基材 ステンレス/表面 部分Snメッキ]
 - (): REFERENCE DIMENSION AND ANGLE [() 寸法、角度は参考値]

PRODUCT NO.	ML-2020/H1BN	SCALE	4:1
DRAWING NO.	PEHD1Z	REV.	0
			UNIT: mm



* NOTE [注記]

1. TAB PULLING STRENGTH OVER 19.6N [端子溶接強度: 19.6N以上]
2. TAB MATERIAL: STAINLESS STEEL WITH TIN PLATING [端子材料: 基材 ステンレス/表面 部分Snメッキ]
3. (): REFERENCE DIMENSION AND ANGLE [() 寸法、角度は参考値]

PRODUCT NO.	ML-2020/H1CN	SCALE	4:1
DRAWING NO.	PEHE1Z	REV.	0
			UNIT:mm