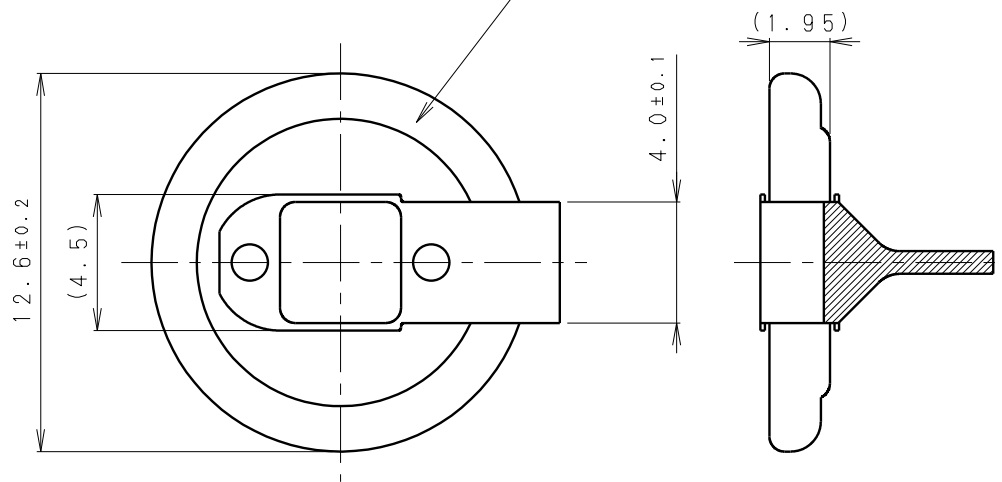
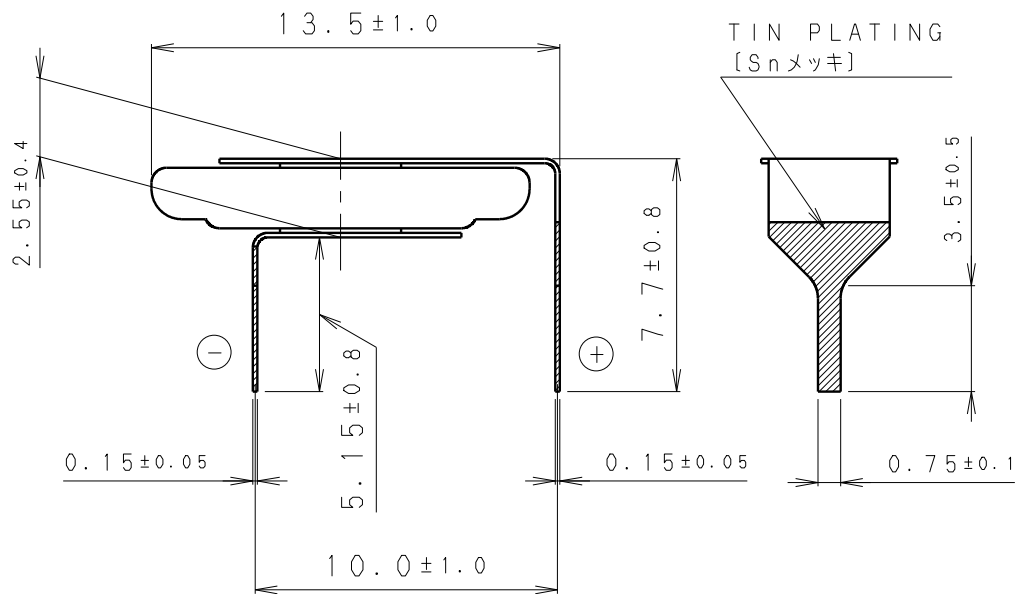
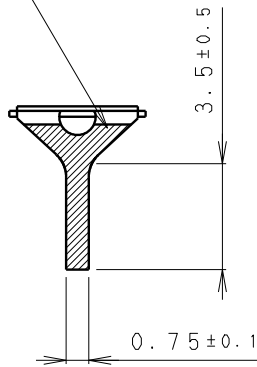


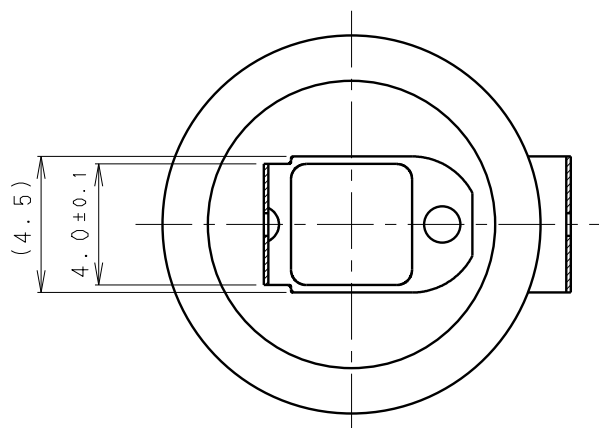
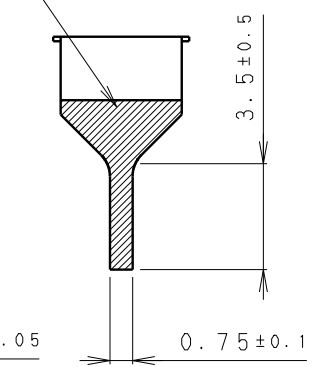
INSULATOR (YELLOW)  
 [絶縁チューブ (黄色)]



TIN PLATING  
 [Snメッキ]



TIN PLATING  
 [Snメッキ]



\* NOTE [注記]

- TAB PULLING STRENGTH OVER 14.7N  
 [端子溶接強度: 14.7N以上]
- TAB MATERIAL: STAINLESS STEEL WITH TIN PLATING  
 [端子材料: 基材 ステンレス/表面 部分Snメッキ]
- ( ): REFERENCE DIMENSION AND ANGLE  
 [ ( ) 寸法、角度は参考値]

PRODUCT NO.	ML-1220/H1AN	SCALE	
		4:1	
DRAWING NO.	JEHC1Z	REV.	UNIT: mm
		0	