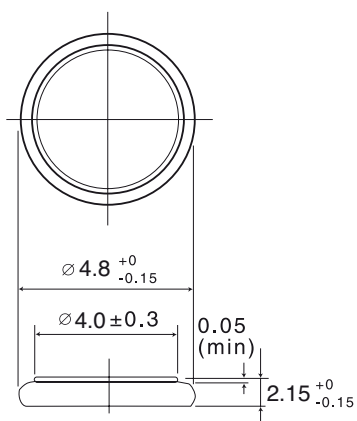


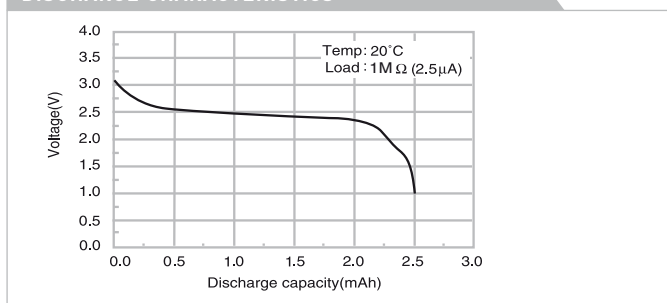
## ML-421



### SPECIFICATIONS

Name	ML-421
Nominal voltage [V]	3
Nominal capacity [mAh]	2.3
Continuous drain [mA]	0.005
Operating temperature [°C]	-20 to +60
Weight [g]	0.11

### DISCHARGE CHARACTERISTICS



### CHARGE VOLTAGE VS. DISCHARGE CAPACITY

