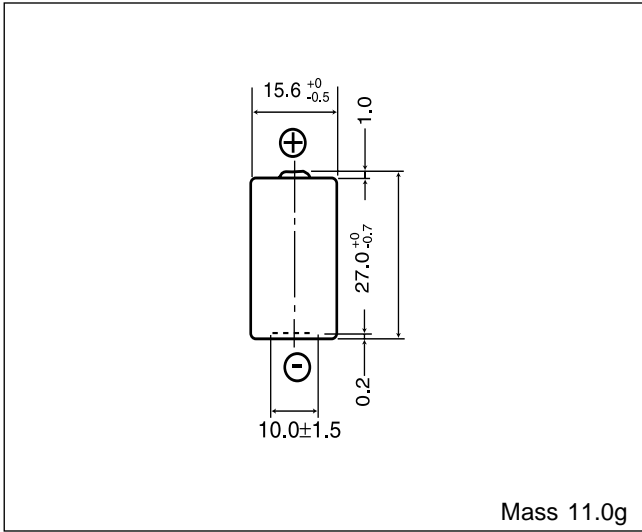


CR2

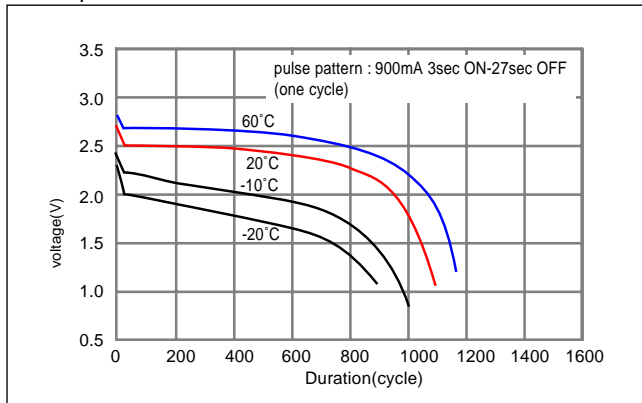
■ Dimensions(mm)



■ Specification

| | |
|---------------------------|------------|
| Nominal voltage(V) | 3 |
| Nominal capacity(mAh) | 750 |
| Continuous drain(mA) | 20 |
| Operating temperature(°C) | -40 ~ +70* |

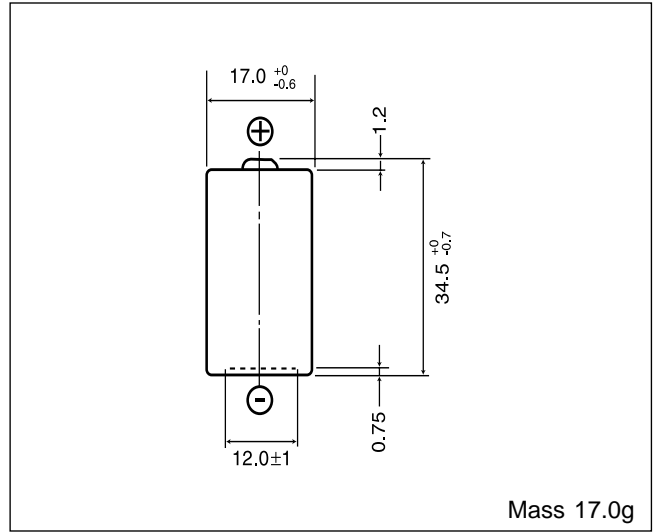
■ Temperature Characteristics



* Please consult Panasonic for use below and above -20°C to +60°C.

CR123A

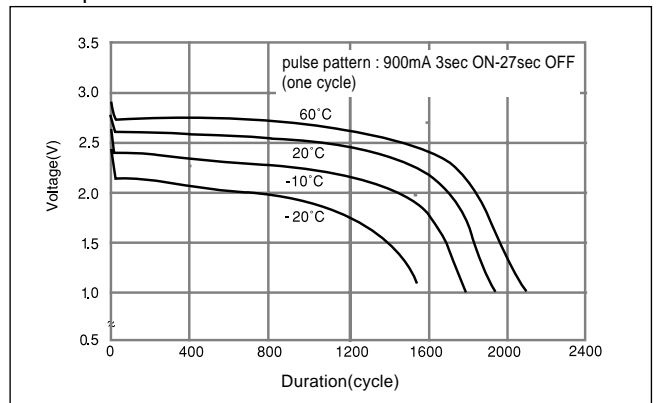
■ Dimensions(mm)



■ Specification

| | |
|---------------------------|------------|
| Nominal voltage(V) | 3 |
| Nominal capacity(mAh) | 1,400 |
| Continuous drain(mA) | 20 |
| Operating temperature(°C) | -40 ~ +70* |

■ Temperature Characteristics



* Please consult Panasonic for use below and above -20°C to +60°C.