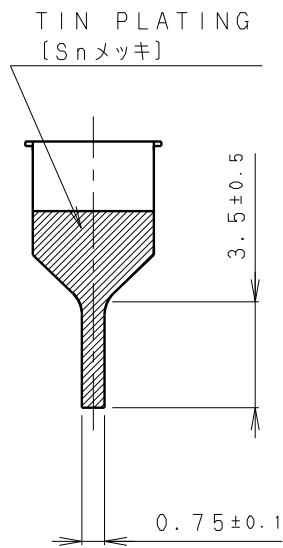
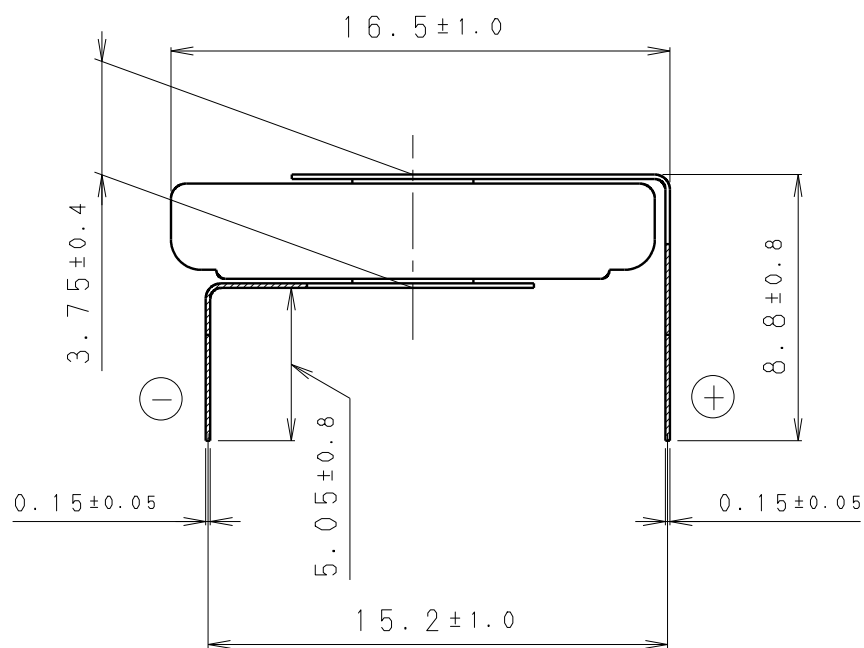
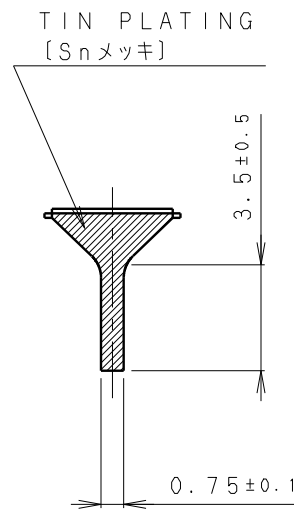
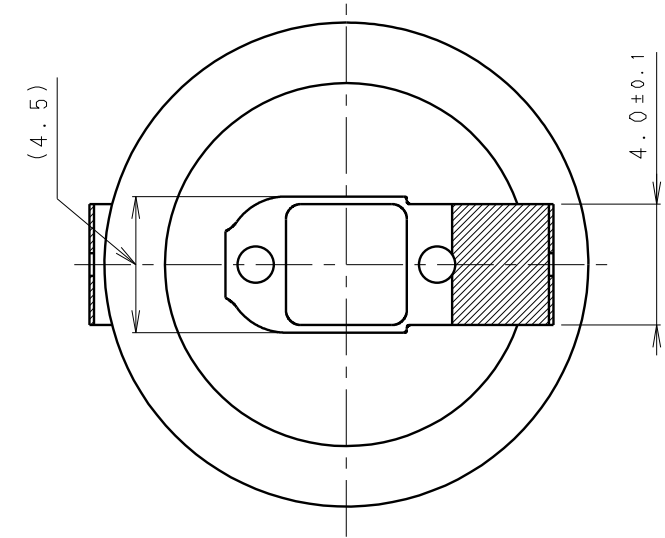
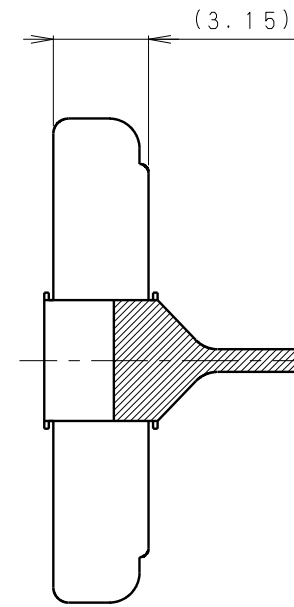
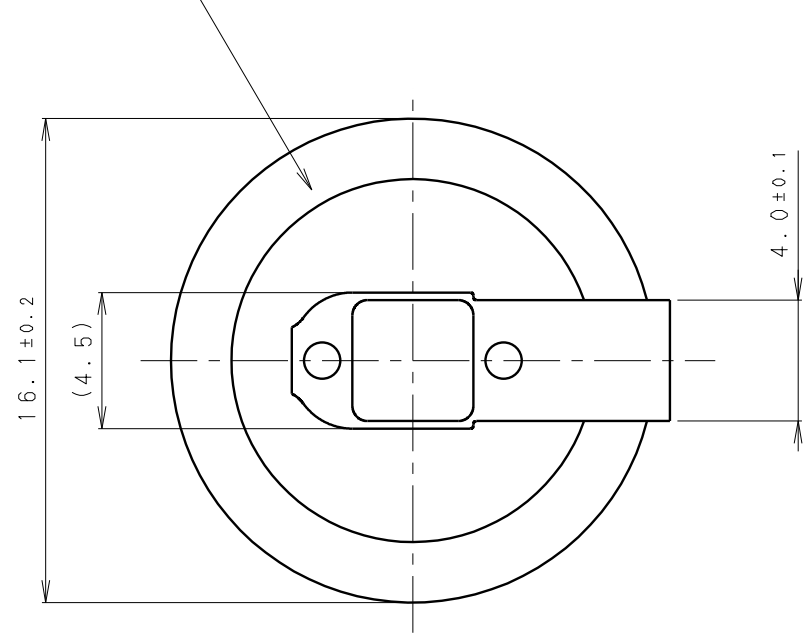


* NOTE [注記]
 1. TAB PULLING STRENGTH OVER 14.7N [端子溶接強度: 14.7N以上]
 2. TAB MATERIAL: STAINLESS STEEL WITH TIN PLATING [端子材料: 基材 ステンレス/表面 部分Snメッキ]
 3. (): REFERENCE DIMENSION AND ANGLE [() 寸法、角度は参考値]

PRODUCT NO.	CR-1632/HEN	SCALE	4:1
DRAWING NO.	MMHA1N	REV.	0
			UNIT:mm

INSULATOR (YELLOW)
 [絶縁チューブ (黄色)]



* NOTE [注記]

1. TAB PULLING STRENGTH OVER 14.7N [端子溶接強度: 14.7N以上]
2. TAB MATERIAL: STAINLESS STEEL WITH TIN PLATING [端子材料: 基材 ステンレス/表面 部分Snメッキ]
3. (): REFERENCE DIMENSION AND ANGLE [() 寸法、角度は参考値]

PRODUCT NO.	CR-1632/HFN	SCALE	4:1
		DRAWING NO.	MMHA1Z
		REV.	0
		UNIT:mm	