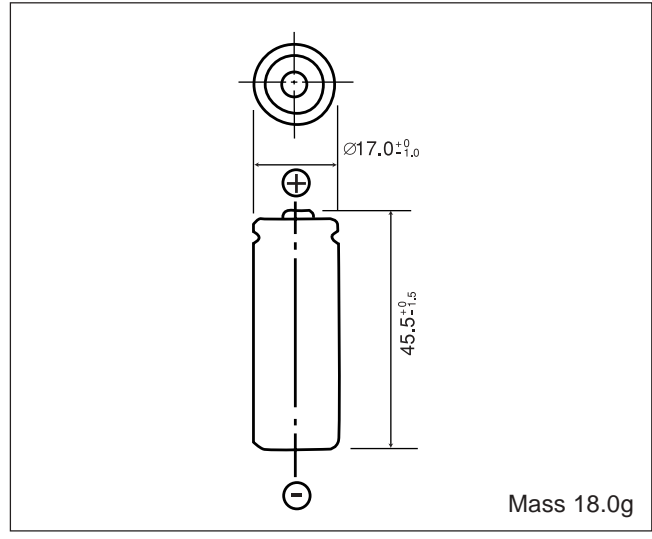


### BR-A

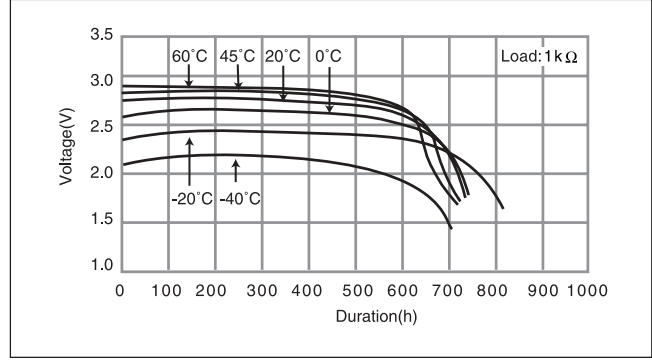
■ Dimensions(mm)



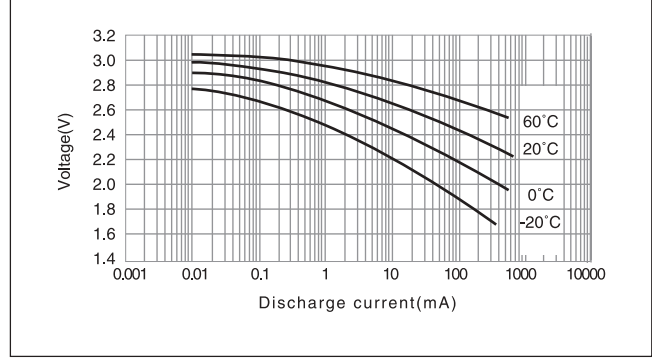
■ Specification

Nominal voltage(V)	3
Nominal capacity(mAh)	1,800
Continuous drain(mA)	2.5
Operating temperature(°C)	-40 ~ +85

■ Temperature Characteristics

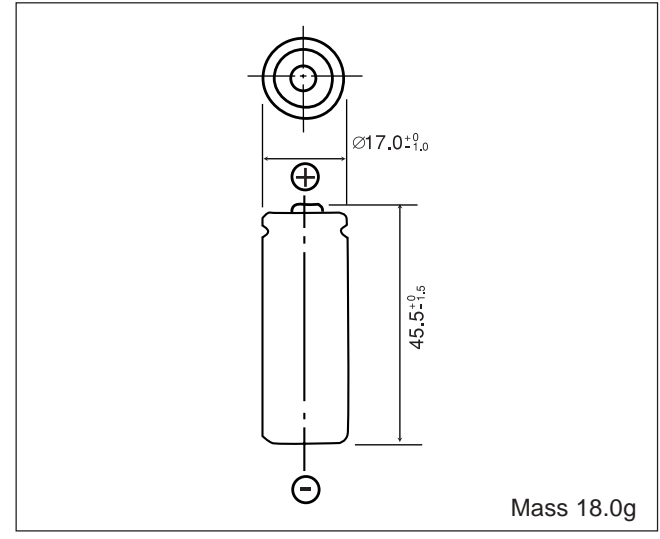


■ Operating voltage vs. Discharge current(voltage at 50% discharge depth)



### BR-AG

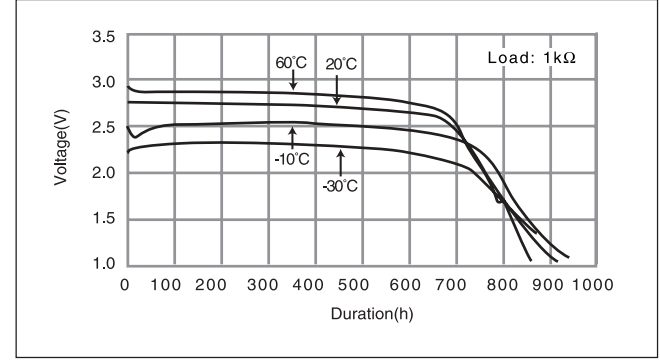
■ Dimensions(mm)



■ Specification

Nominal voltage(V)	3
Nominal capacity(mAh)	2,200
Continuous drain(mA)	2.5
Operating temperature(°C)	-40 ~ +85

■ Temperature Characteristics



■ Operating voltage vs. Discharge current(voltage at 50% discharge depth)

