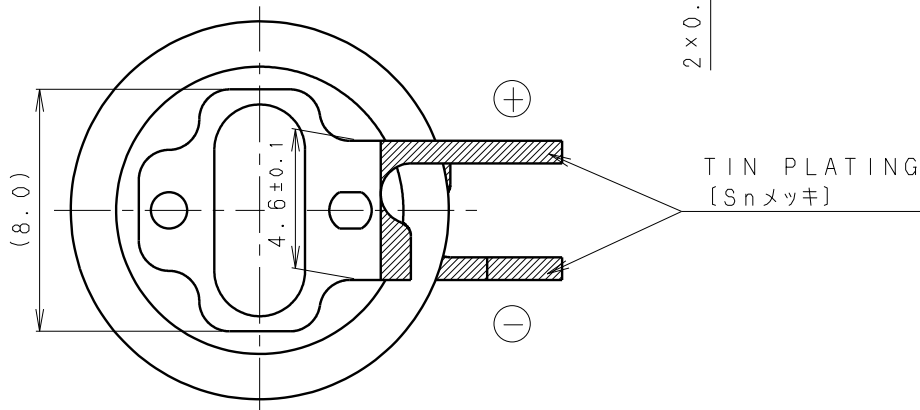
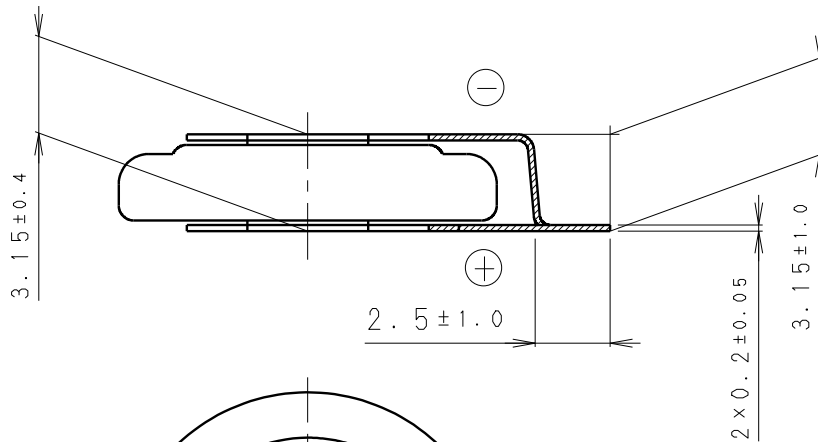
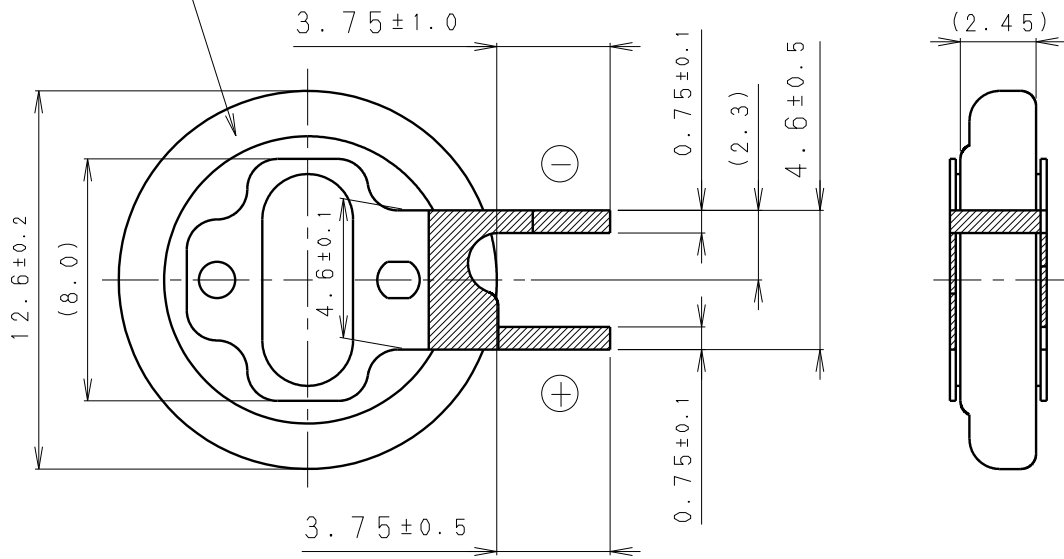


INSULATOR (FRESH GREEN)
 [絶縁チューブ* (フレッシュグリーン色)]



* NOTE [注記]

1. TAB PULLING STRENGTH OVER 19.6N
 [端子溶接強度: 19.6N以上]
2. TAB MATERIAL: STAINLESS STEEL WITH TIN PLATING [Snメッキ]
 [端子材料: 基材 ステンレス/表面 部分Snメッキ]
3. (): REFERENCE DIMENSION AND ANGLE
 [() 寸法、角度は参考値]

PRODUCT NO.	BR-1225A/FAN		SCALE
			4:1
DRAWING NO.	JGFA6Z	REV.	UNIT: mm
		0	