

Features & Benefits

- High energy density
- Long, stable power and long run time
- Ideal for portable communications, portable computing, DSC and Camcorder.

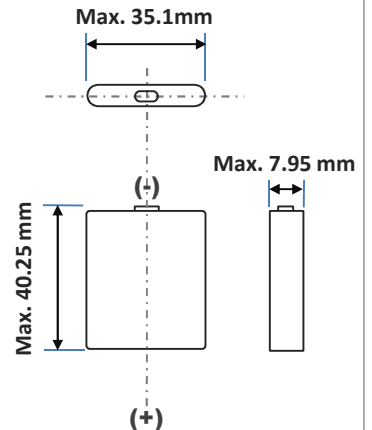
* At temperatures below 10°C, charge at a 0.35C rate.

Specifications

Rated capacity ⁽¹⁾	Min. 1485mAh
Capacity ⁽²⁾	Min. 1515mAh Typ. 1570mAh
Nominal voltage	3.6V
Charging	CC-CV, Std. 1061mA, 4.20V, 4.0 hrs
Weight (max.)	24.7g
Temperature	Charge*: 0 to +45°C Discharge: -20 to +60°C Storage: -20 to +50°C
Energy density	Volumetric: 473 Wh/l Gravimetric: 216 Wh/kg

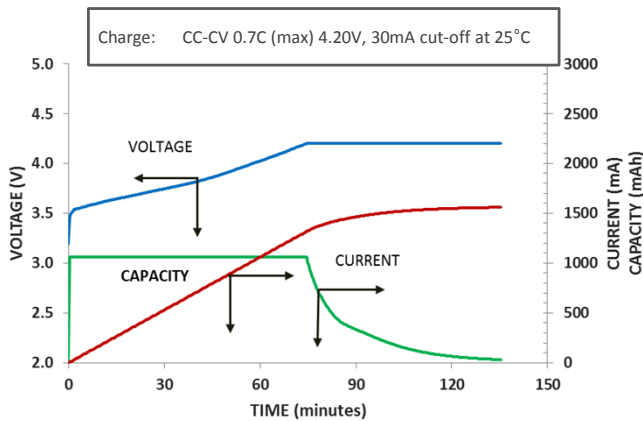
⁽¹⁾ At 20°C ⁽²⁾ At 25°C

Dimensions

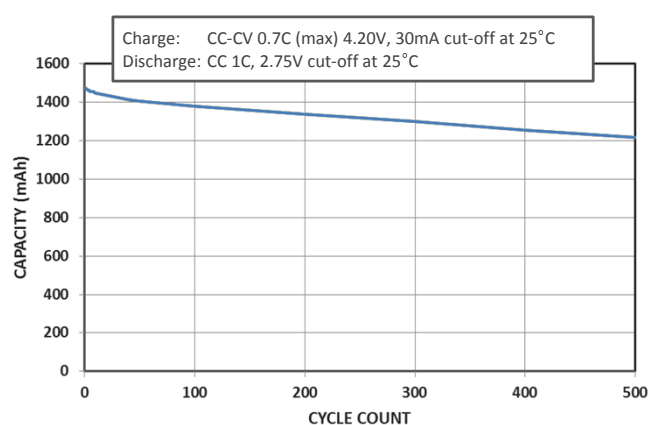


For Reference Only

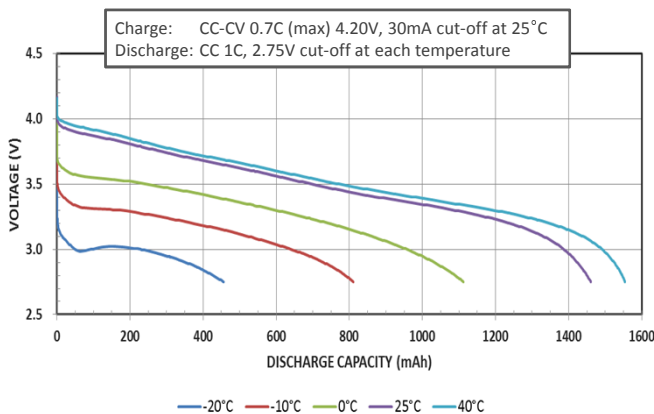
Charge Characteristics



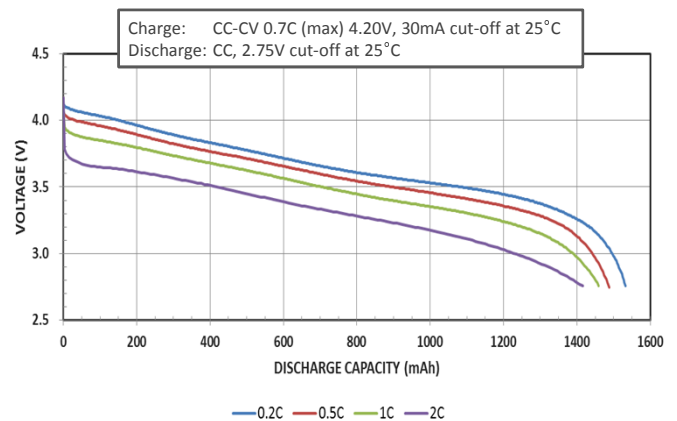
Cycle Life Characteristics



Discharge Characteristics (by temperature)



Discharge Characteristics (by rate of discharge)



The data in this document is for descriptive purposes only and is not intended to make or imply any guarantee or warranty.