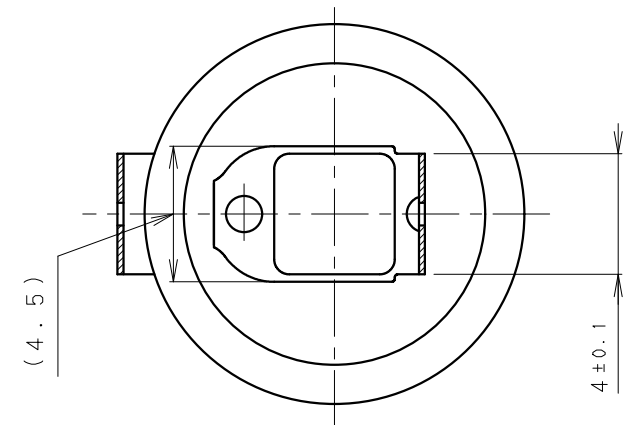
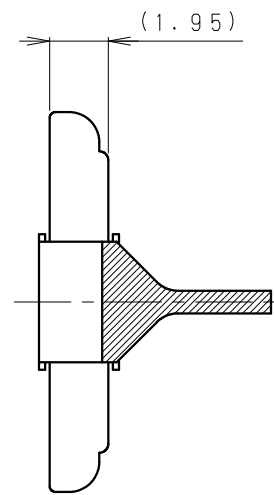
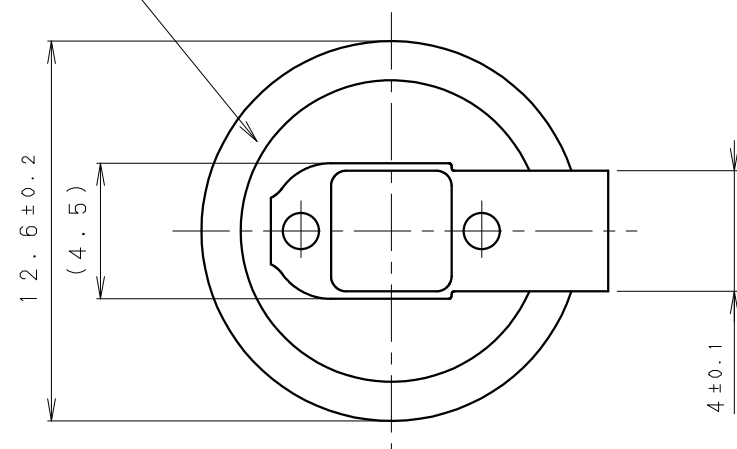
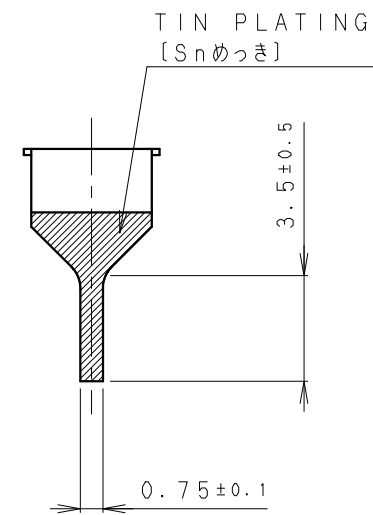
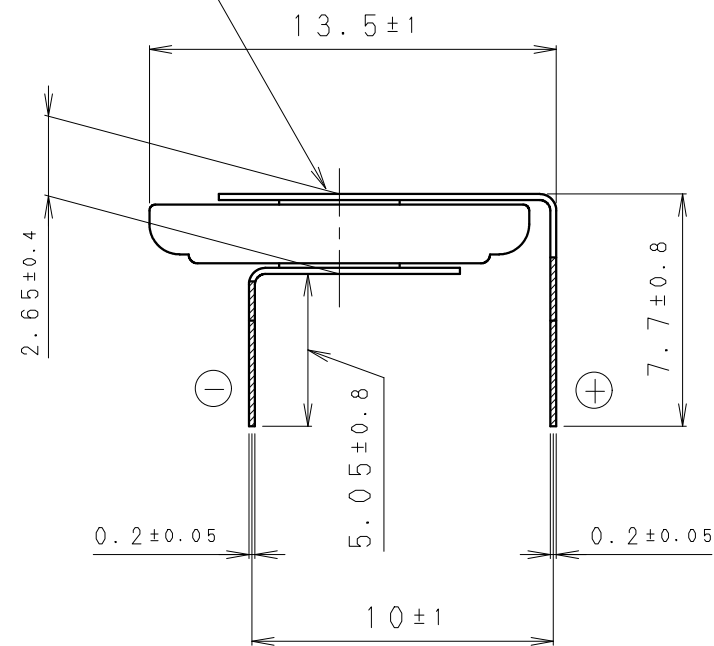
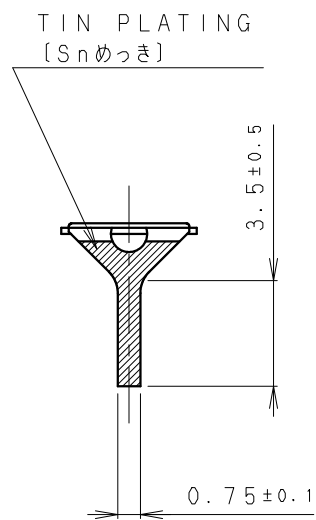


INSULATOR (BROWN)
[絶縁チューブ (茶色)]



DATE CODE INDICATION
ON THIS SIDE [ロット表示面]



NOTE [注記]

- TAB WELDING STRENGTH OVER 19.6N [端子溶接強度: 19.6N以上]
- TAB MATERIAL: STAINLESS STEEL WITH TIN PLATING [端子材料: 基材 ステンレス/表面 部分Snめっき]
- (): REFERENCE DIMENSION AND ANGLE [() 寸法、角度は参考値]
- REGARDING THE LAST CHARACTER OF PRODUCT NO.
N MEANS INTERNATIONAL MODEL,
K MEANS JAPANESE MODEL.
[製品番号の末尾の文字に関して Nは海外向、Kは日本向を意味します。]

PRODUCT NO.	VL-1220/HFN (K)	SCALE	4:1
DRAWING NO.	JEHA1Z	UNIT: mm	