

| Cell size | No | P/N | Fig | Insulating tube | F | | | | | | | | | | | | | | | tab hole | | | | | |
|-----------|----|--------------|-----|-----------------|------|-------|------|-------|------|-----|-------|-------|------|-------|---------|-------|---------|-------|--------|----------|--------|--------|-----|-----|-----|
| | | | | | A | | B | | C | | D | | E | | F | | G | | H | | I | | J | | |
| 1220 | 6 | BR-1220/FCN | 2 | yes | 12.6 | ± 0.2 | 3.75 | ± 0.5 | 3.75 | ± 1 | 4 | ± 0.5 | 0.75 | ± 0.1 | 0.75 | ± 0.1 | (4.5) | 2.65 | ± 1 | 0.2 | ± 0.05 | 2.5 | ± 1 | no | |
| 1225 | 11 | BR-1225/F1AN | 2 | yes | 12.6 | ± 0.2 | 3.75 | ± 0.5 | 3.75 | ± 1 | 4.6 | ± 0.5 | 0.75 | ± 0.1 | 0.75 | ± 0.1 | (8) | 3.15 | ± 1 | 0.2 | ± 0.05 | 2.5 | ± 1 | no | |
| 1632 | 15 | BR-1632/F2N | 4 | yes | 16.1 | ± 0.2 | 3 | ± 0.5 | 4.2 | ± 1 | 2.5 | ± 0.1 | 2.5 | ± 0.1 | (4.5) | 3.75 | ± 1 | 0.15 | ± 0.05 | 3 | ± 1 | | | no | |
| 2032 | 20 | BR-2032/F4N | 5 | yes | 20.1 | ± 0.2 | 7 | ± 0.5 | 7 | ± 1 | 10.45 | ± 0.5 | 3 | ± 0.1 | 3 | ± 0.1 | 4 | ± 0.1 | 3.75 | ± 1 | 0.15 | ± 0.05 | 5.3 | ± 1 | yes |
| | 23 | BR-2032/F2N | 4 | yes | 20.1 | ± 0.2 | 7 | ± 0.5 | 7 | ± 1 | 3 | ± 0.1 | 3 | ± 0.1 | 4 | ± 0.1 | 3.75 | ± 1 | 0.15 | ± 0.05 | 5.3 | ± 1 | | | yes |
| 2330 | 29 | BR-2330/F3K | 4 | yes | 23.1 | ± 0.2 | 7.6 | ± 0.5 | 5 | ± 1 | 3 | ± 0.1 | 3 | ± 0.1 | 4 | ± 0.1 | 3.55 | ± 0.5 | 0.15 | ± 0.05 | 4 | ± 1 | | | yes |
| 3032 | 38 | BR-3032/F2N | 4 | yes | 30.1 | ± 0.2 | 5 | ± 0.5 | 5 | ± 1 | 3 | ± 0.1 | 3 | ± 0.1 | 4 | ± 0.1 | 3.8 | ± 1 | 0.15 | ± 0.05 | 3 | ± 1 | | | yes |

Fig1

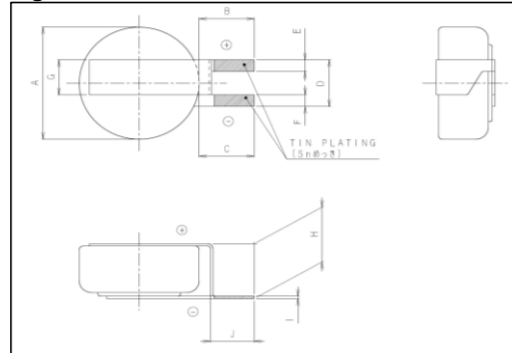


Fig2

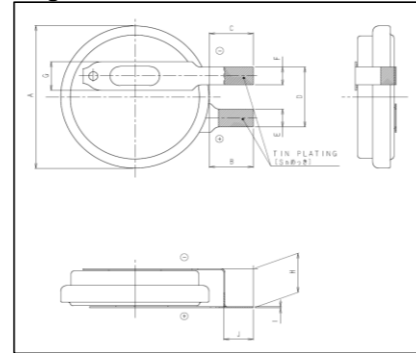


Fig3

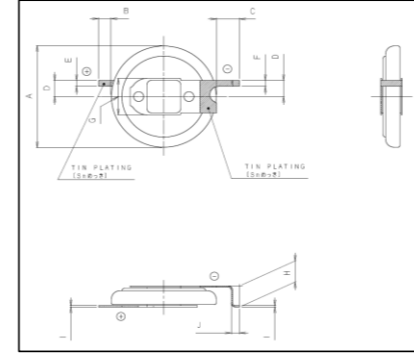


Fig4

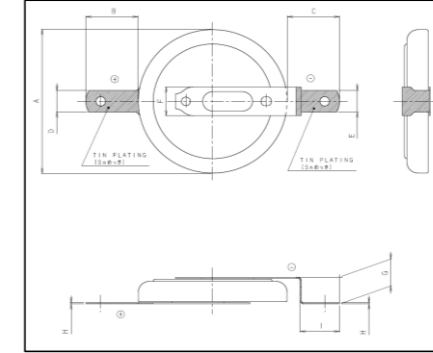


Fig5

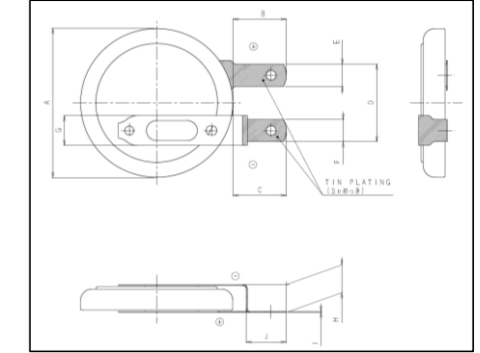


Fig.6

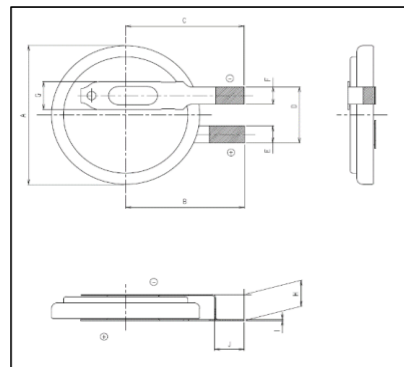


Fig7

