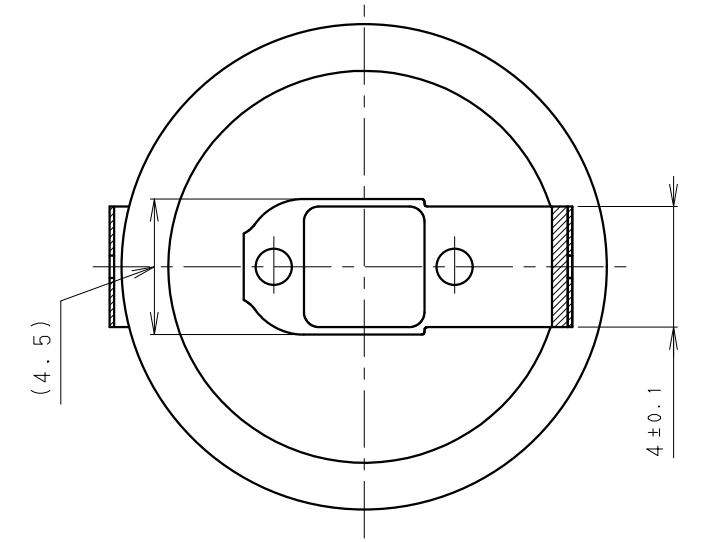
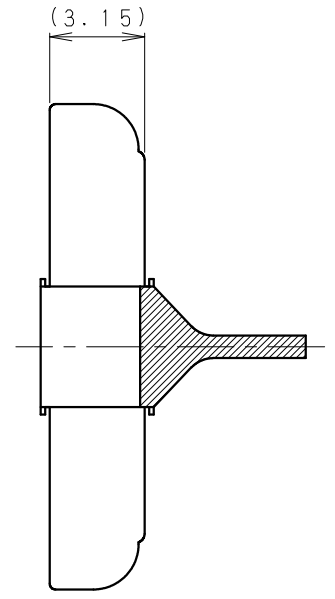
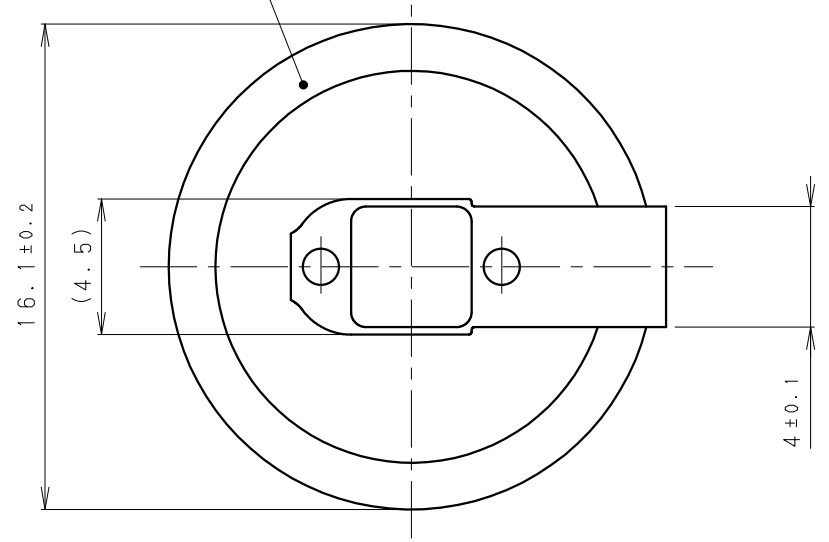
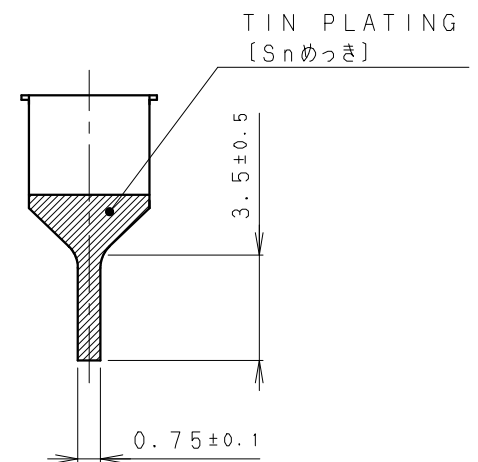
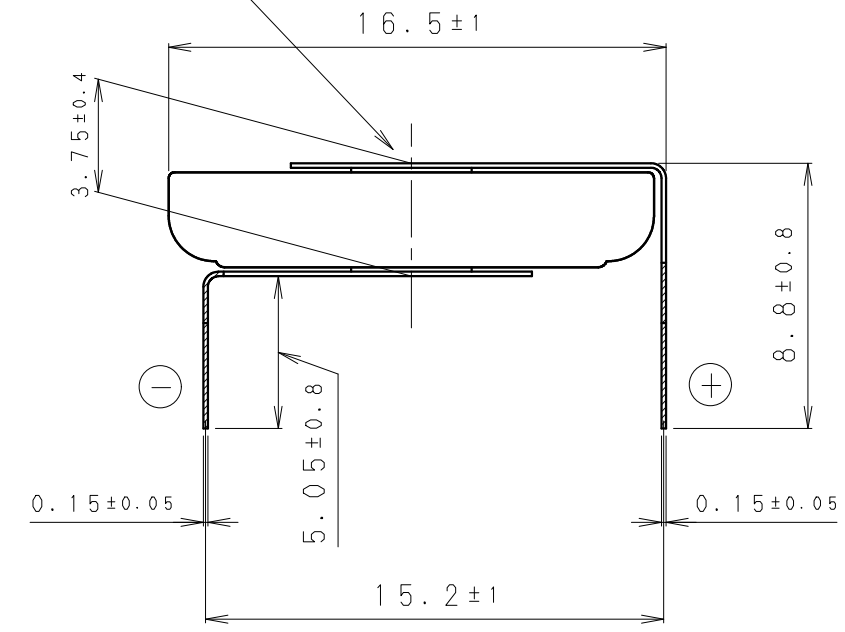
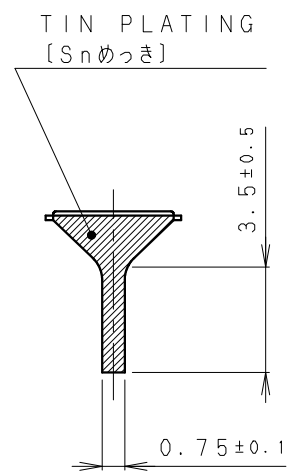


INSULATOR (FRESH GREEN)  
 [絶縁チューブ (フレッシュグリーン色)]



DATE CODE INDICATION  
 ON THIS SIDE [ロット表示面]



NOTE [注記]

1. NOMINAL VOLTAGE: 3V [公称電圧3V]
2. TAB WELDING STRENGTH OVER 14.7N [端子溶接強度: 14.7N以上]
3. TAB MATERIAL: STAINLESS STEEL WITH TIN PLATING [端子材料: 基材 ステンレス/表面 部分Snめっき]
4. ( ): REFERENCE DIMENSION AND ANGLE [ ( ) 寸法、角度は参考値]

PRODUCT NO.	BR-1632A/HAN	SCALE	4:1
DRAWING NO.	MMHA1Z	UNIT: mm	