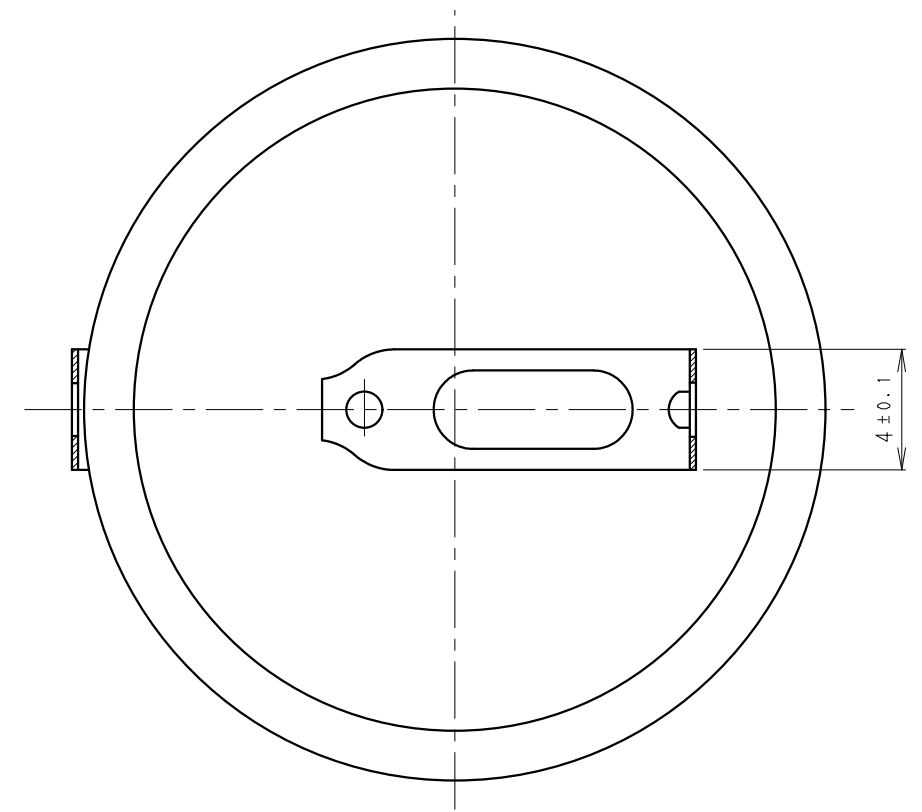
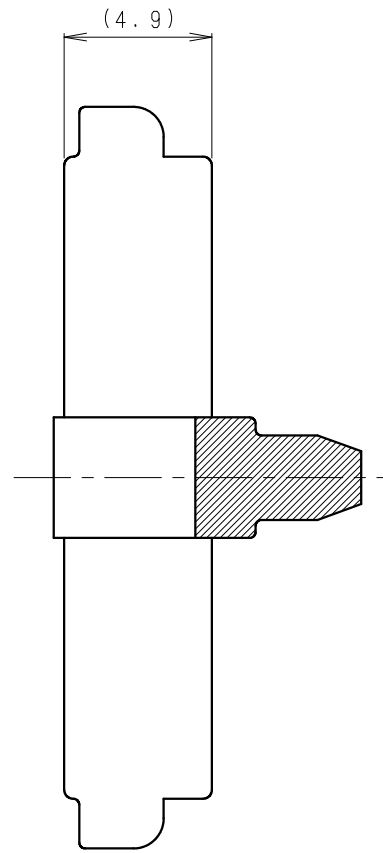
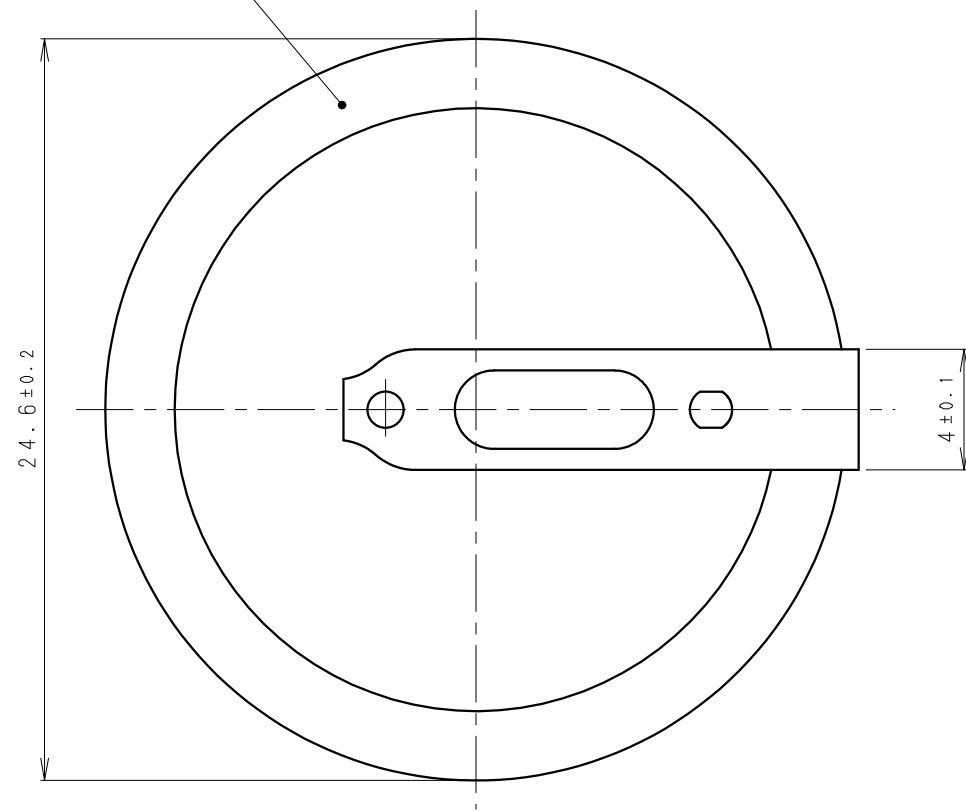
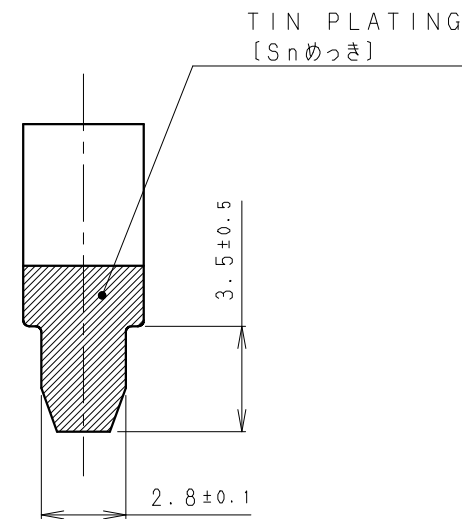
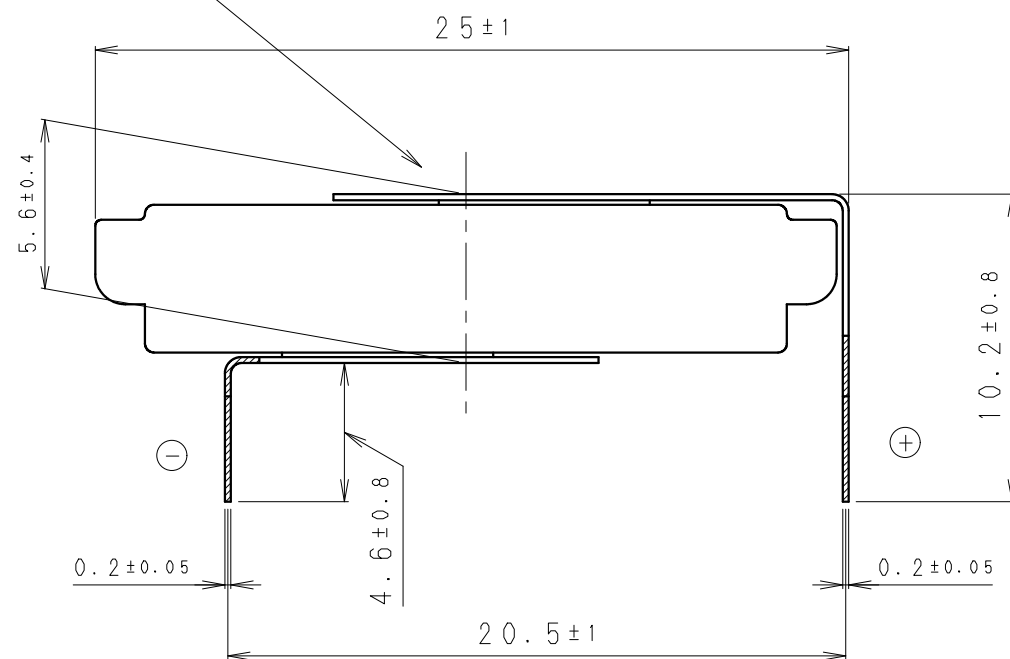
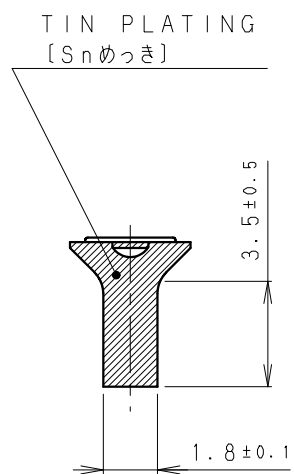


INSULATOR [FRESH GREEN]  
(絶縁チューブ [フレッシュグリーン色])



DATE CODE INDICATION  
ON THIS SIDE [ロット表示面]



NOTE [注記]

- NOMINAL VOLTAGE: 3V [公称電圧: 3V]
- TAB WELDING STRENGTH OVER 19.6N [端子溶接強度: 19.6N以上]
- TAB MATERIAL: STAINLESS STEEL WITH TIN PLATING [端子材料: 基材 ステンレス/表面 部分Snめっき]
- ( ): REFERENCE DIMENSION AND ANGLE [ ( ) 寸法、角度は参考値]

PRODUCT NO.	BR-2450A/HAN	SCALE	4:1
DRAWING NO.	RUHA3Z	UNIT: mm	