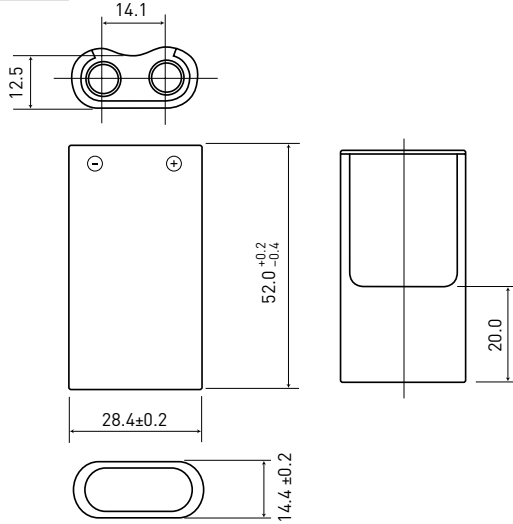


2 MANGANESE DIOXIDE LITHIUM BATTERIES (CR SERIES FOR CONSUMER)

CR-V3

DIMENSIONS (MM)



Model number	CR-V3
Nominal voltage (V)	3
Nominal capacity (mAh)	3,300
Diameter (mm)	28.4 x 14.4
Total height (mm)	52.0
Discharging temperature range (°C)	-40 to +70*1
Weight (g)	39.0

DISCHARGE TEMPERATURE CHARACTERISTICS

