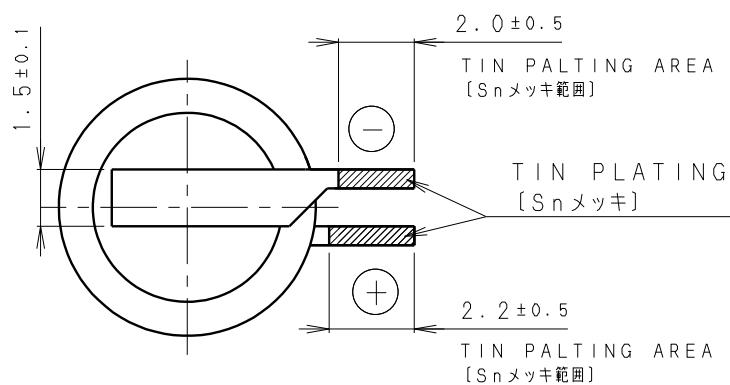
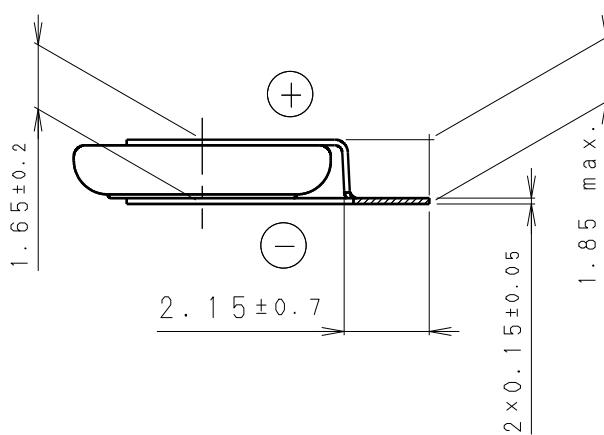
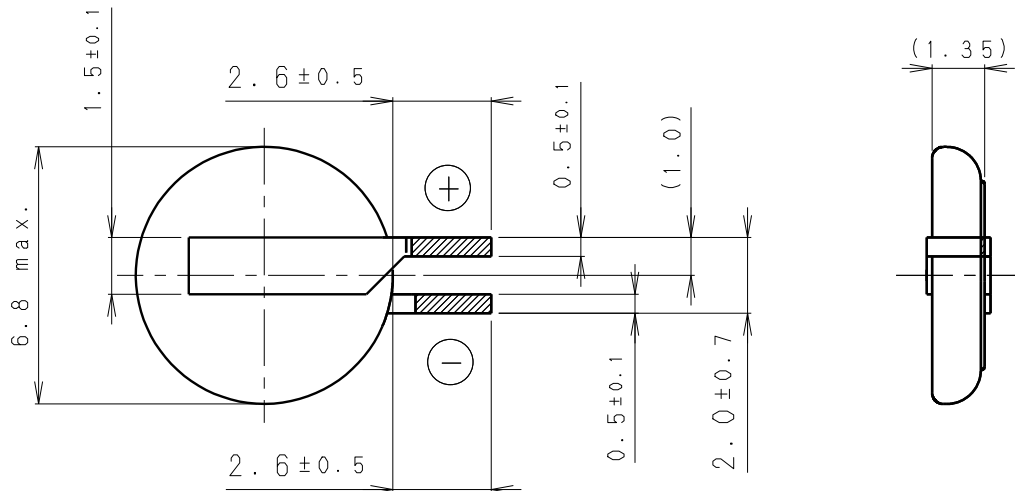


* NOTE [注記]

1. TAB PULLING STRENGTH OVER 14.7N
[端子溶接強度: 14.7N以上]
2. TAB MATERIAL: STAINLESS STEEL WITH TIN PLATING [Hatched]
[端子材料: 基材 ステンレス/表面 部分Snメッキ [Hatched]]
3. (): REFERENCE DIMENSION AND ANGLE
[() 寸法、角度は参考値]

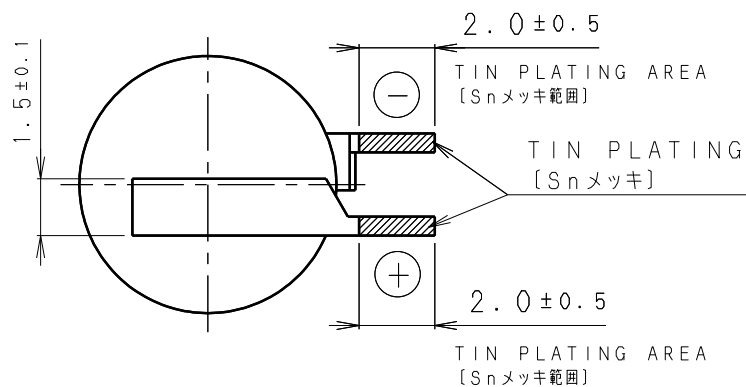
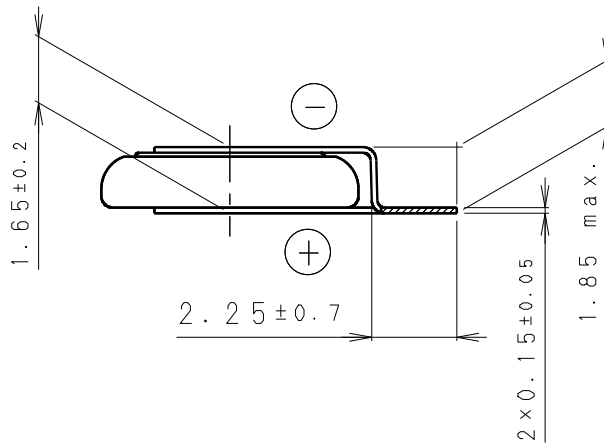
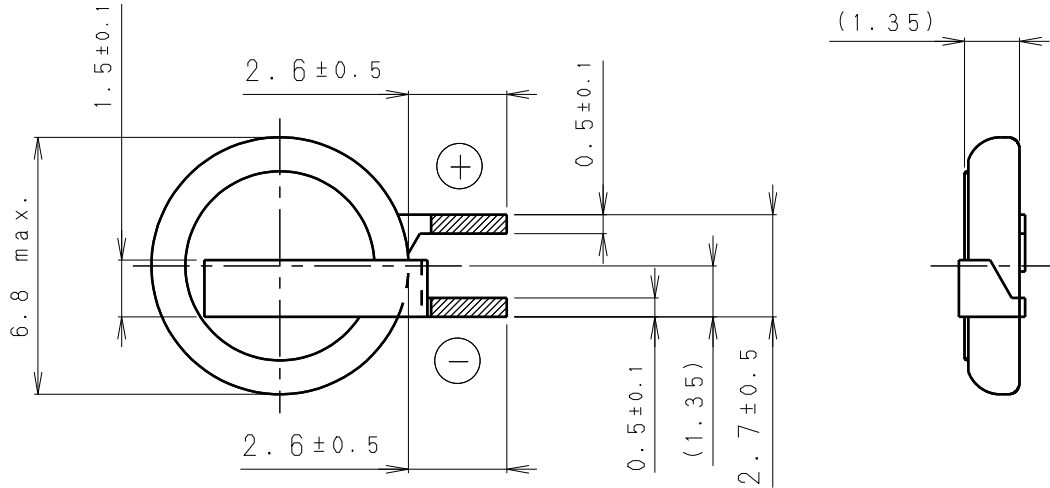
PRODUCT NO.	ML-614S/DK	SCALE	
		5:1	
DRAWING NO.	DCFB1N	REV.	 UNIT: mm
		0	



* NOTE [注記]

1. TAB PULLING STRENGTH OVER 14.7N
[端子溶接強度：14.7N以上]
2. TAB MATERIAL: STAINLESS STEEL WITH TIN PLATING [斜線]
[端子材料：基材 ステンレス/表面 部分Snメッキ [斜線]]
3. () : REFERENCE DIMENSION AND ANGLE
[() 寸法、角度は参考値]

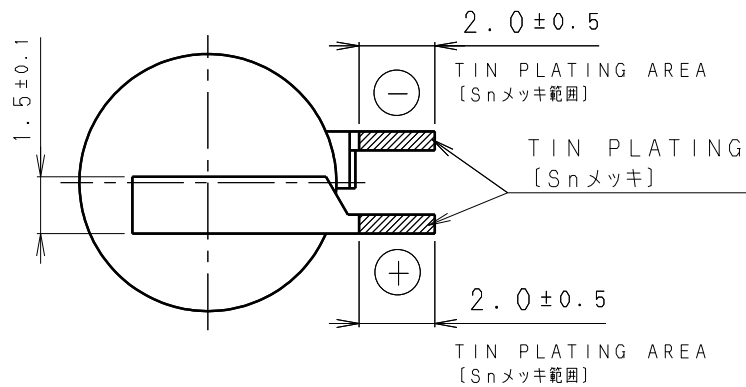
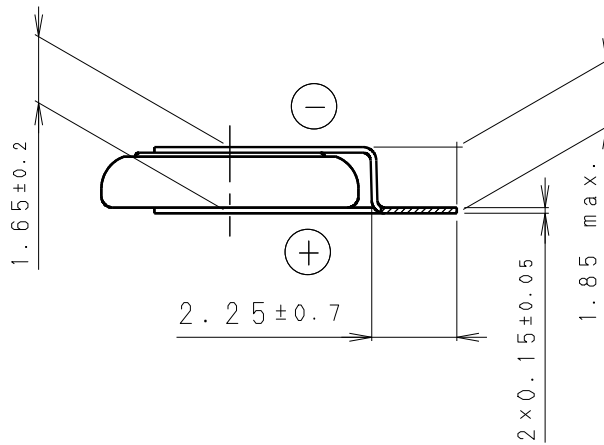
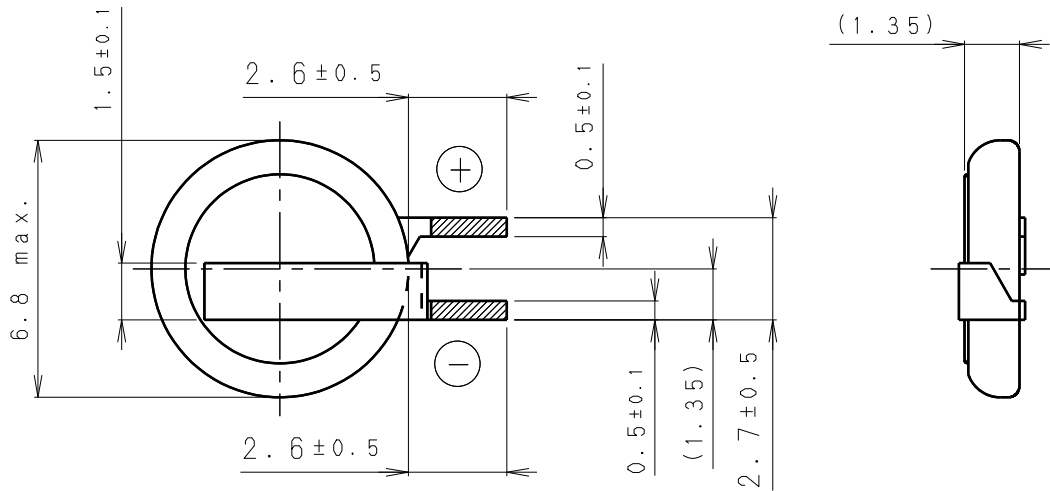
PRODUCT NO.	ML-614S/DN	SCALE	
		5:1	
DRAWING NO.	DCFB1N	REV.	
		0	



* NOTE [注記]

1. TAB PULLING STRENGTH OVER 14.7N
[端子溶接強度: 14.7以上]
2. TAB MATERIAL: STAINLESS STEEL WITH TIN PLATING [端子材料: 基材 ステンレス/表面 部分Snメッキ]
3. (): REFERENCE DIMENSION AND ANGLE
[() 寸法、角度は参考値]

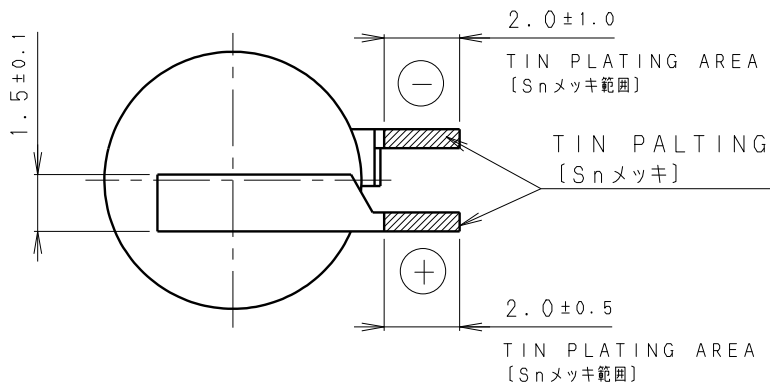
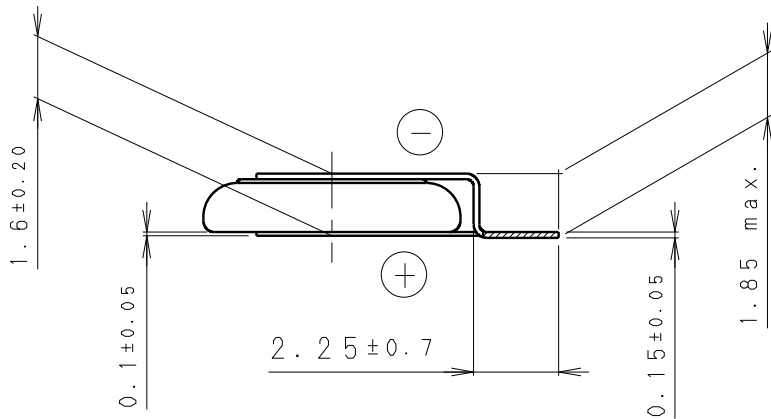
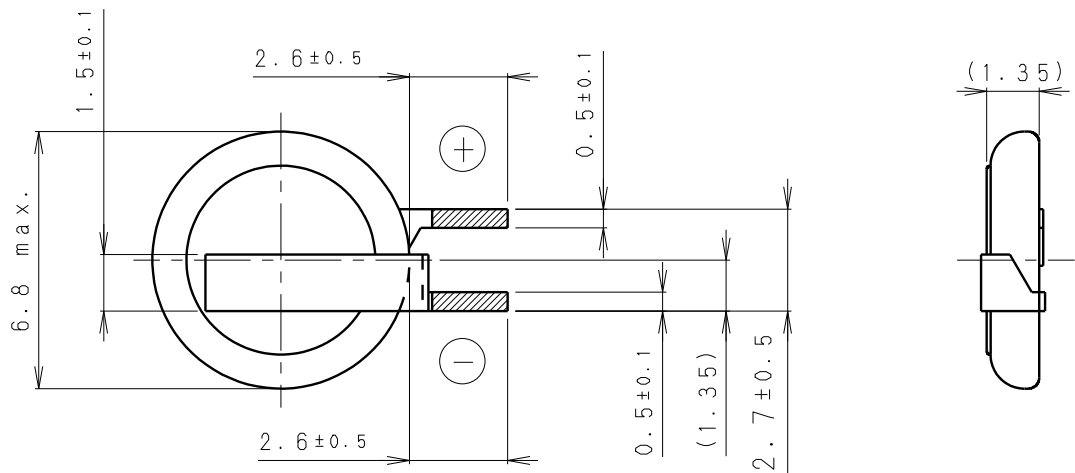
PRODUCT NO.	ML-614S/FK	SCALE	
		5:1	
DRAWING NO.	DCFC6N	REV.	
		0	



* NOTE [注記]

1. TAB PULLING STRENGTH OVER 14.7N
[端子溶接強度: 14.7以上]
2. TAB MATERIAL: STAINLESS STEEL WITH TIN PLATING [端子材料: 基材 ステンレス/表面 部分Snメッキ]
3. (): REFERENCE DIMENSION AND ANGLE
[() 寸法、角度は参考値]

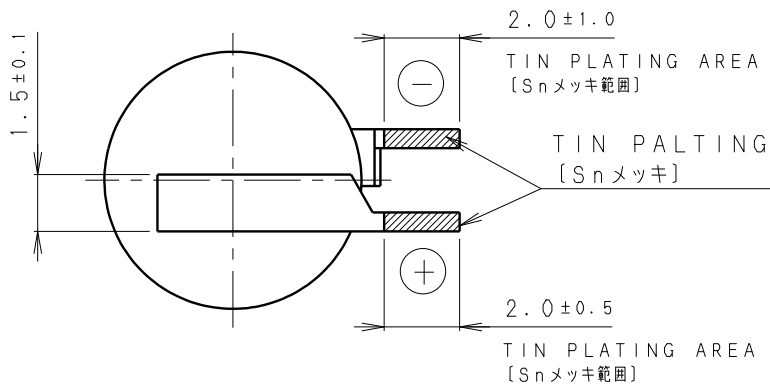
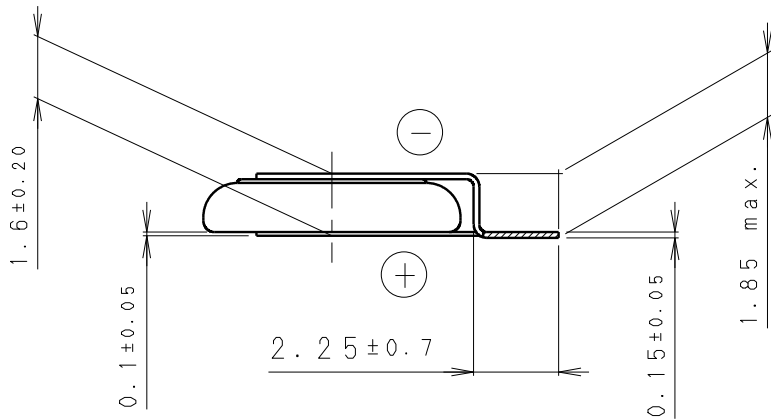
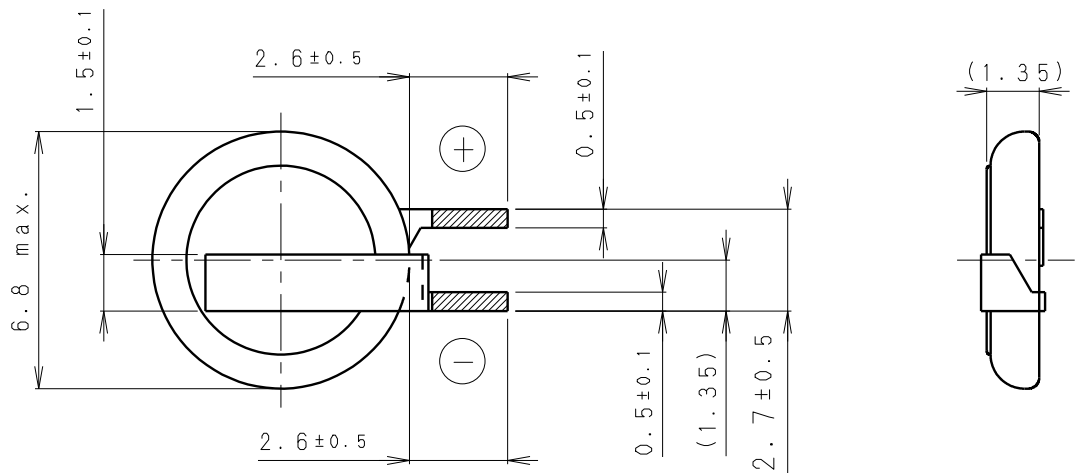
PRODUCT NO.	ML-614S/FN	SCALE	
		5:1	
DRAWING NO.	DCFC6N	REV.	
		0	



* NOTE [注記]

1. TAB PULLING STRENGTH OVER 9.8N
[端子溶接強度: 9.8N以上]
2. TAB MATERIAL: STAINLESS STEEL WITH TIN PLATING [端子材料: 基材 ステンレス/表面 部分Snメッキ]
3. (): REFERENCE DIMENSION AND ANGLE
[() 寸法、角度は参考値]

PRODUCT NO.	ML-614S/HK	SCALE	
		5:1	
DRAWING NO.	DCFD6N	REV.	
		0	



* NOTE [注記]

1. TAB PULLING STRENGTH OVER 9.8N
[端子溶接強度: 9.8N以上]
2. TAB MATERIAL: STAINLESS STEEL WITH TIN PLATING [Hatched]
[端子材料: 基材 ステンレス/表面 部分Snメッキ [Hatched]]
3. (): REFERENCE DIMENSION AND ANGLE
[() 寸法、角度は参考値]

PRODUCT NO.	ML-614S/HN	SCALE	
		5:1	
DRAWING NO.	DCFD6N	REV.	
		0	