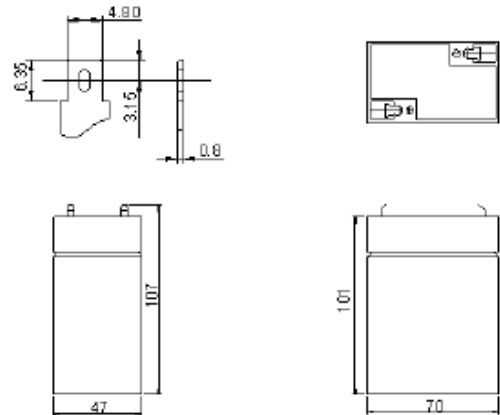
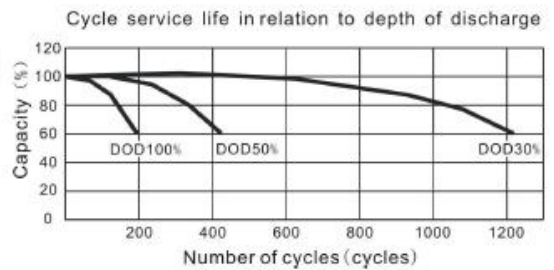
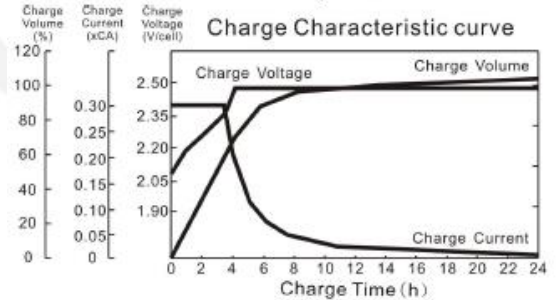
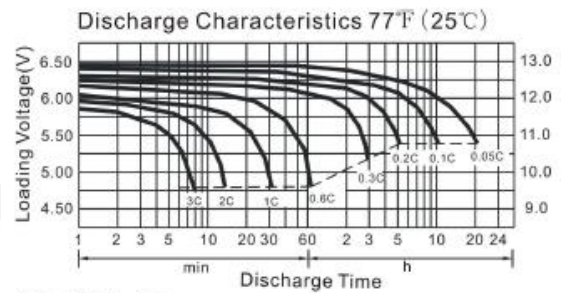


PQ0604ST1 (6V 4.0Ah)



Specifications		PQ0604ST1
Nominal Voltage		6V
Rated Capacity 77°F(25°C) (20HR)		4.0Ah
Dimensions (mm)	Length	70 (2.76)
	Width	47 (1.85)
	Height	101 (3.98)
	Total Height	107 (4.21)
Approx. Weight (kg)		0.63 (1.39)
Terminal		T1

Characteristic		
Capacity 77°F(25°C)	20HR (0.200A)	4.00Ah
	10HR (0.372A)	3.72Ah
	5HR (0.680A)	3.40Ah
	1HR (2.440A)	2.44Ah
	15 min rate (7.40A)	1.85Ah
	Internal Resistance	Full Charged Battery 77°F(25°C)
Temperature dependence of capacity (20HR)	104°F(40°C)	102%
	77°F(25°C)	100%
	32°F(0°C)	85%
	5°F(-15°C)	65%
Self-Discharge 68°F(20°C) (Capacity after)	3 months	90%
	6 months	80%
	12 months	60%
Max. Discharge Current, 77°F(25°C)		60A(5s)
Floating design life, 77°F(20°C)		5 years
Constant Voltage Charge, 77°F(25°C)	Cycle	7.25~7.45V(-12mV/°C) max. current: 1.2 A
	Float	6.8~6.9V(-9mV/°C)



Constant Current Discharge Characteristics (A), 77°F(25°C)											
F.V/TIME	5min	10min	15min	30min	60min	2H	3H	5H	8H	10H	20H
1.60V/cell	15.20	9.60	7.40	4.00	2.53	1.43	1.05	0.704	0.468	0.384	0.206
1.70V/cell	14.49	9.12	7.07	3.83	2.44	1.37	1.02	0.692	0.464	0.380	0.204
1.75V/cell	14.15	8.92	6.94	3.75	2.40	1.35	1.00	0.680	0.456	0.372	0.202
1.80V/cell	13.90	8.72	6.82	3.67	2.36	1.33	0.99	0.668	0.452	0.368	0.200

Constant Wattage Discharge Characteristics (Watt), 77°F(25°C)											
F.V/TIME	5min	10min	15min	30min	60min	2H	3H	5H	8H	10H	20H
1.60V/cell	27.60	17.60	13.69	7.47	4.77	2.71	2.00	1.360	0.916	0.756	0.408
1.70V/cell	26.50	16.88	13.19	7.20	4.64	2.63	1.97	1.348	0.912	0.752	0.404
1.75V/cell	26.20	16.64	13.07	7.11	4.59	2.61	1.95	1.336	0.904	0.744	0.402
1.80V/cell	25.90	16.44	12.95	7.04	4.56	2.58	1.94	1.324	0.896	0.736	0.400