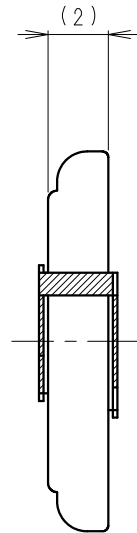
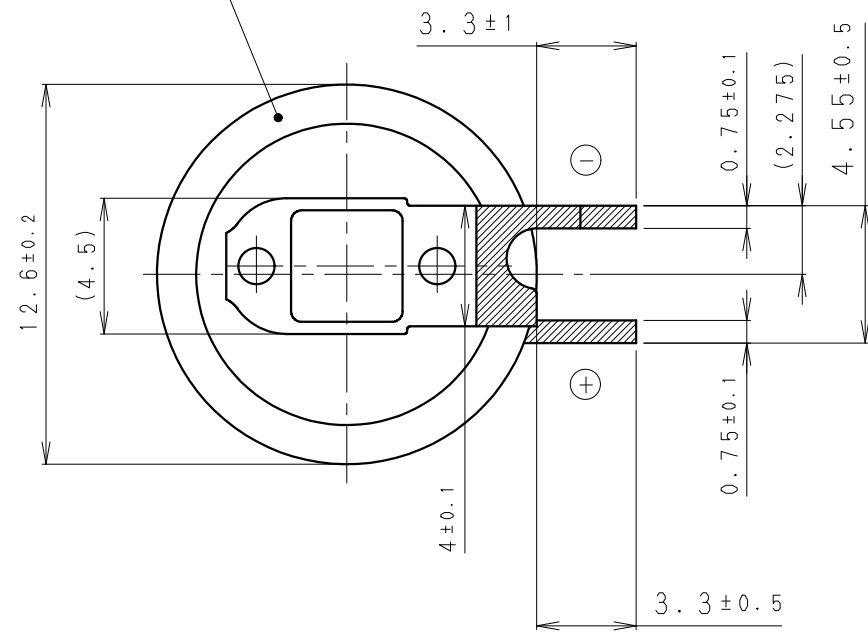
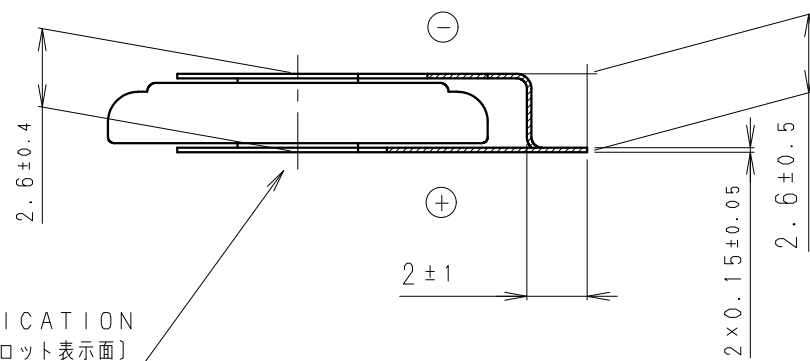
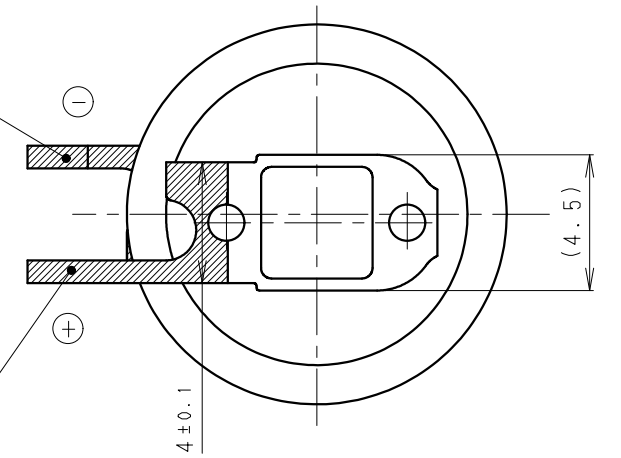


INSULATOR (LAVENDER)  
[絶縁チューブ (ラベンダー色)]



TIN PLATING  
[Snめっき]

TIN PLATING  
[Snめっき]



DATE CODE INDICATION  
ON THIS SIDE [ロット表示面]

NOTE [注記]

- TAB WELDING STRENGTH OVER 14.7N [端子溶接強度: 14.7N以上]
- TAB MATERIAL: STAINLESS STEEL WITH TIN PLATING [端子材料: 基材 ステンレス/表面 部分Snめっき]
- ( ): REFERENCE DIMENSION AND ANGLE [ ( ) 寸法、角度は参考値]

PRODUCT NO.	ML-1220/F1BN	SCALE	4:1
DRAWING NO.	JEFB6Z	UNIT: mm	