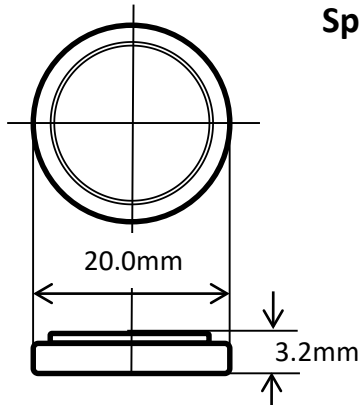




Dimensions



* Panasonic offers batteries with tabs or lead wires.

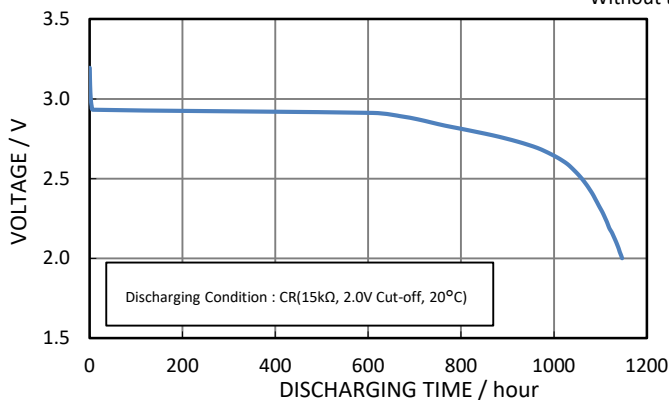
Features & Benefits

- Excellent durability under high temperature conditions (up to 120°C) allows various devices such as automotive electrical components and outdoor devices to be used under severe environments.
- Superior pulse discharging characteristics even at low temperatures and can be used in a wide operating temperature.
- Excellent long-term reliability enables safe and long-term use.

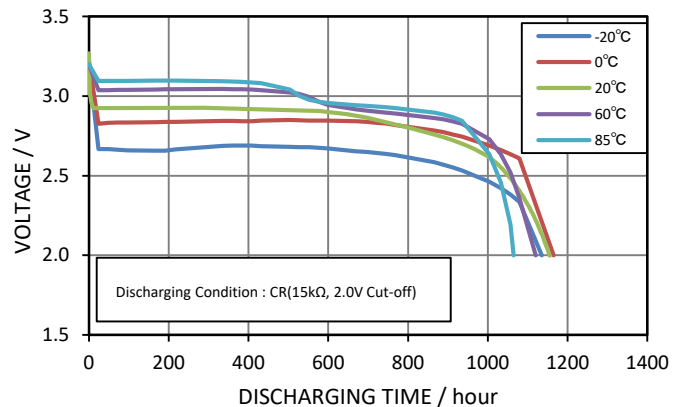
Specifications

| | | |
|-----------------------|----------------|-----------------|
| Part number | | CR-2032B |
| Nominal voltage | | 3V |
| Nominal capacity | | 210mAh |
| Continuous drain | | 0.2mA |
| Dimensions*1 | Diameter(Max.) | 20.0mm |
| | Height(Max.) | 3.2mm |
| Weight*1 | | Approx. 3.0g |
| Operating temperature | | -40°C to +120°C |

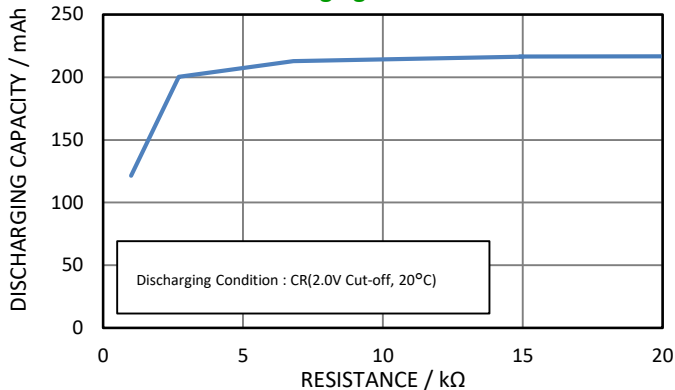
Discharging Characteristics



Discharging Characteristics by Temperature



Continuous Discharging Characteristics



Terminal types

F type



* For customized tab terminal or for any other information, please ask Panasonic sales person.

Applications

TPMS, ETC, Meters and others.

This data in this document is for descriptive purposes only and is not intended to make or imply any guarantee or warranty. As of October, 2019. The contents of this product information are subject to change without notice.

Please visit our website at:

Panasonic Corporation

<https://eu.industrial.panasonic.com/products/batteries-energy-products/primary-batteries/lithium-batteries>

