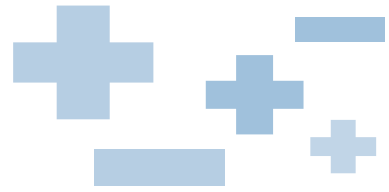


FIAMM

Industrial Batteries

FGHL

series



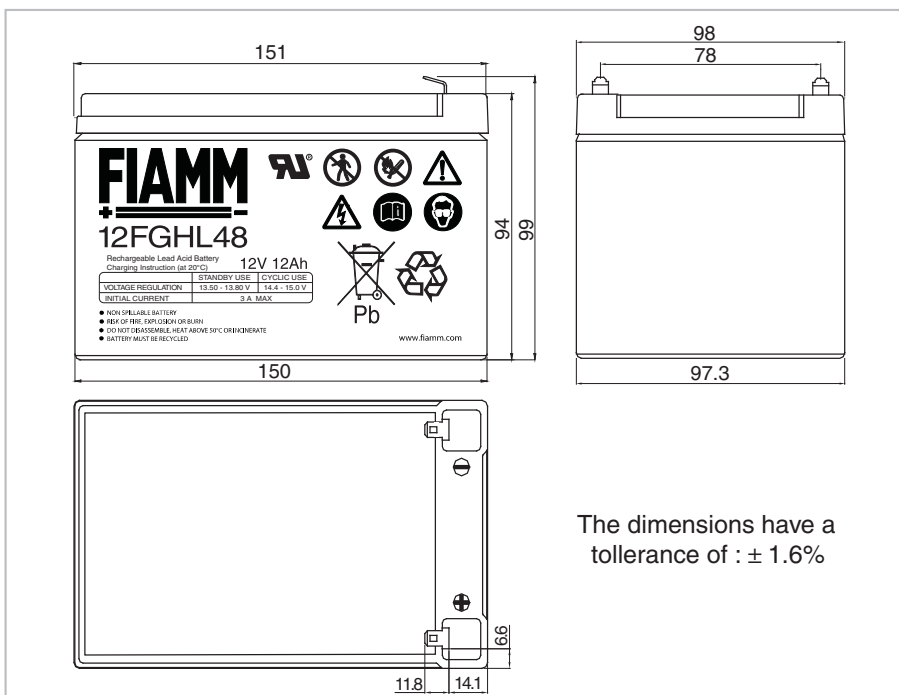
12FGHL48

12 Volt 12 Ah

12FGHL48 is specially designed for high efficient discharge application. It is a high power density range with a design life of 10 years. FIAMM is a Manufacturer of VRLA batteries and is supported by a dedicated sales network with market knowledge and experience of small sealed lead acid battery applications.

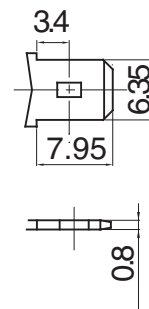
Features

Nominal Voltage	12 Volt
Nominal Capacity	43.3 W @ 15 min-rate to 1.6 Vpc at 25°C 12.0 Ah 20 hours rate to 1.75 Vpc at 25°C
Float charging voltage	13.50 - 13.80 V/bloc at 25°C
Boost charge voltage	14.40 - 15.00 V/bloc at 25°C
Float voltage compensation	-18mV/°C
Maximum charging current	3.00 A
Case	ABS UL94V-0 (flame retardant plastic)
Internal resistance	14.8 mΩ in full charged condition
Weight	4.20 kg
Dimensions	L x W x H (TH): 151 x 98 x 94 (99)
Operative temperature range	-20°C to 50°C
Shelf life procedures	As batteries lose part of their capacity, during storage, due to self discharge. FIAMM recommends FGHL range of batteries can be stored for 6 months at an ambient temperature of 20 and 25°C (see attached graph on reverse). Longer storage requires a recharge. This should be carried out in line with FIAMM recommended method; 2.4 V/cell for no longer than 24 hours at 20°C



The dimensions have a tolerance of : ± 1.6%

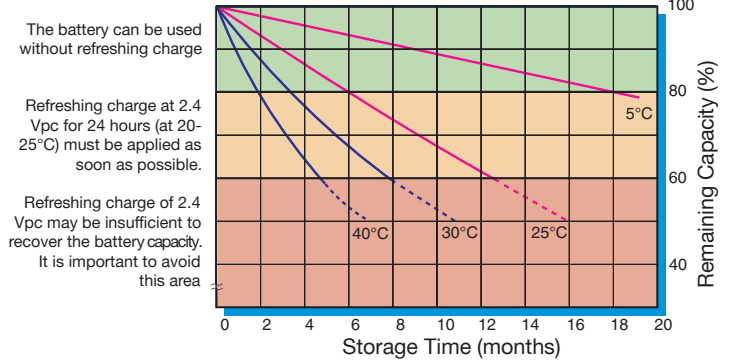
Faston 6.3 mm



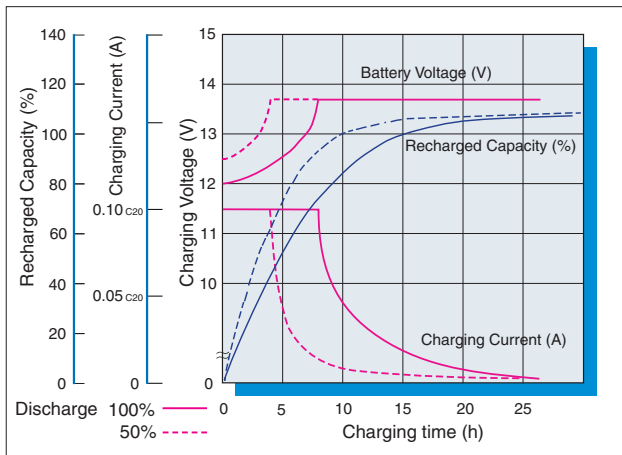
12FGHL48 12 Volt 12 Ah



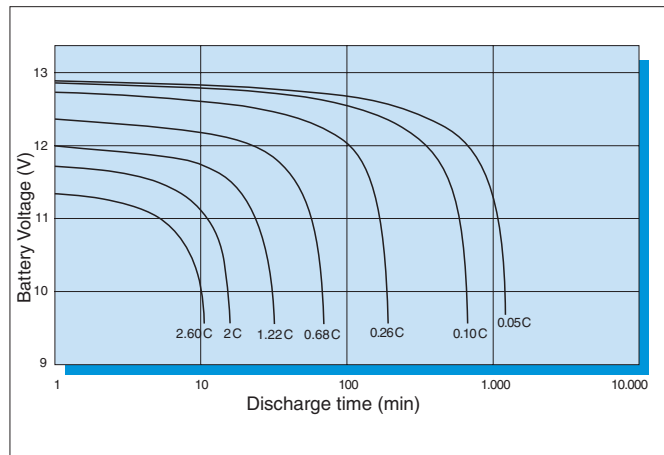
Capacity loss during storage at various temperatures



Battery Voltage and Charge Time for Standby Use (at 25°C)



Discharge curves at different current / final voltage (at 25°C)



Constant Current discharge table (Amperes)

End voltage	5 min	10 min	15 min	20 min	30 min	45 min	1 hour	2 hrs	3 hrs	5 hrs
9.60 V	48.7	33.3	24.8	19.7	14.1	9.89	7.28	3.93	2.76	1.77
9.90 V	48.3	32.9	24.5	19.5	14.0	9.83	7.23	3.90	2.75	1.76
10.02 V	48.0	32.7	24.4	19.4	13.9	9.79	7.20	3.88	2.73	1.75
10.20 V	47.6	32.4	24.0	19.2	13.8	9.73	7.14	3.84	2.70	1.74
10.50 V	46.7	31.7	23.4	18.8	13.6	9.58	7.02	3.74	2.65	1.71
10.80 V	45.3	30.7	22.7	18.3	13.2	9.40	6.89	3.68	2.55	1.63

Constant Power discharge table (Watts per bloc)

End voltage	5 min	10 min	15 min	20 min	30 min	45 min	1 hour	2 hrs	3 hrs	5 hrs
9.60 V	486	341	260	210	154	110	81.8	44.8	31.7	20.5
9.90 V	484	340	258	209	153	110	81.6	44.6	31.6	20.5
10.02 V	483	338	257	208	153	109	81.3	44.4	31.5	20.4
10.20 V	479	336	254	206	152	109	80.8	44.0	31.3	20.3
10.50 V	471	330	249	203	150	108	79.7	43.2	30.8	20.1
10.80 V	460	321	243	199	147	106	78.5	42.7	29.8	19.1