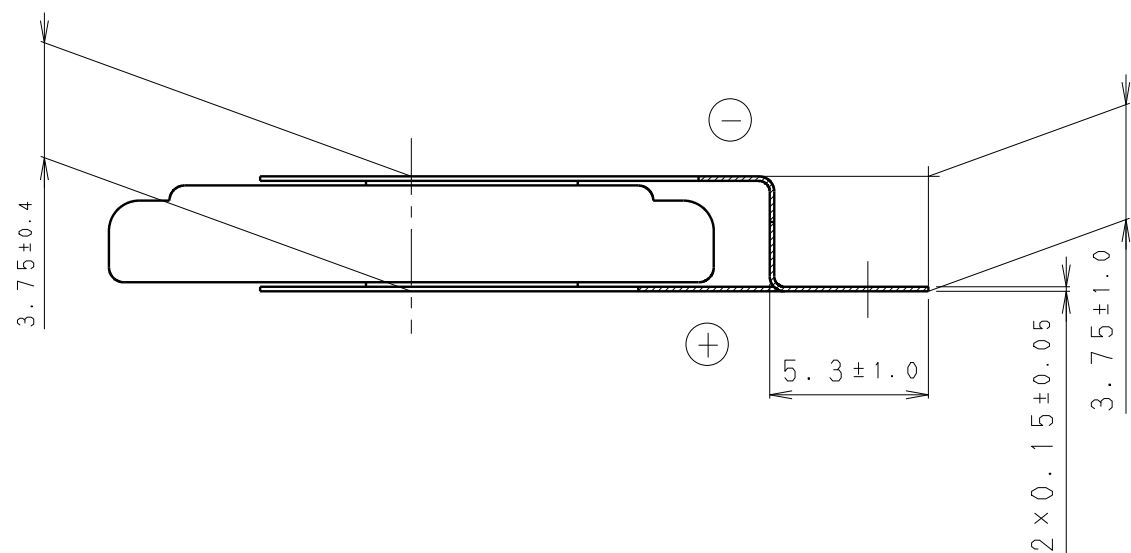
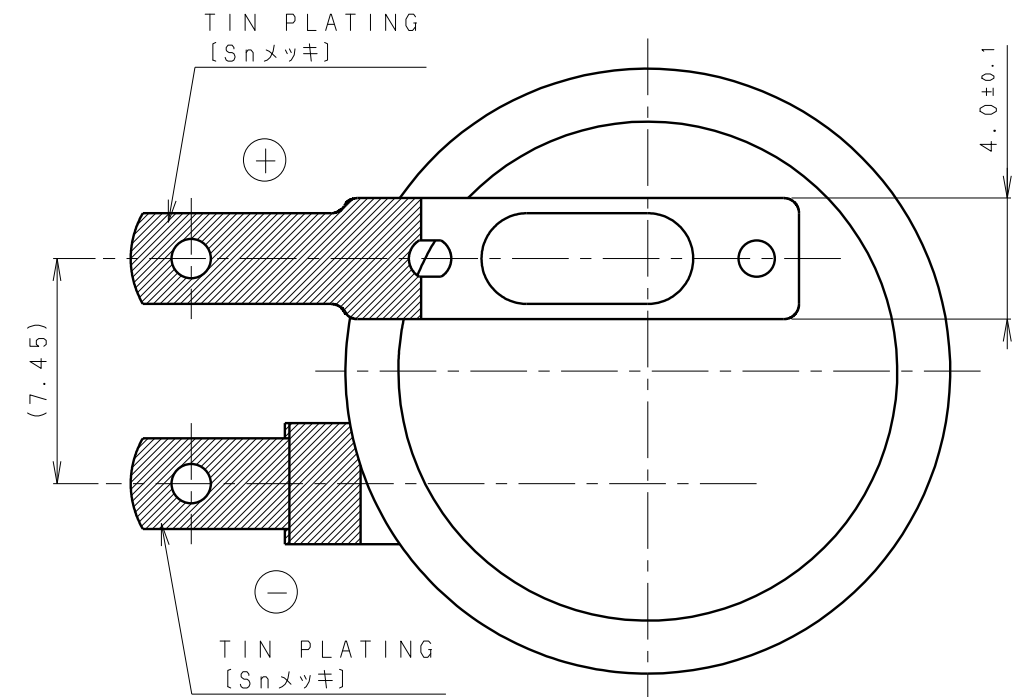
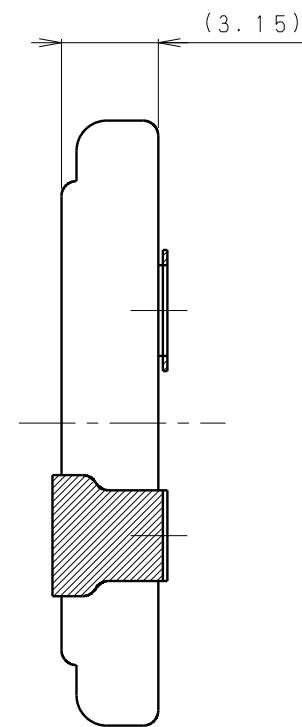
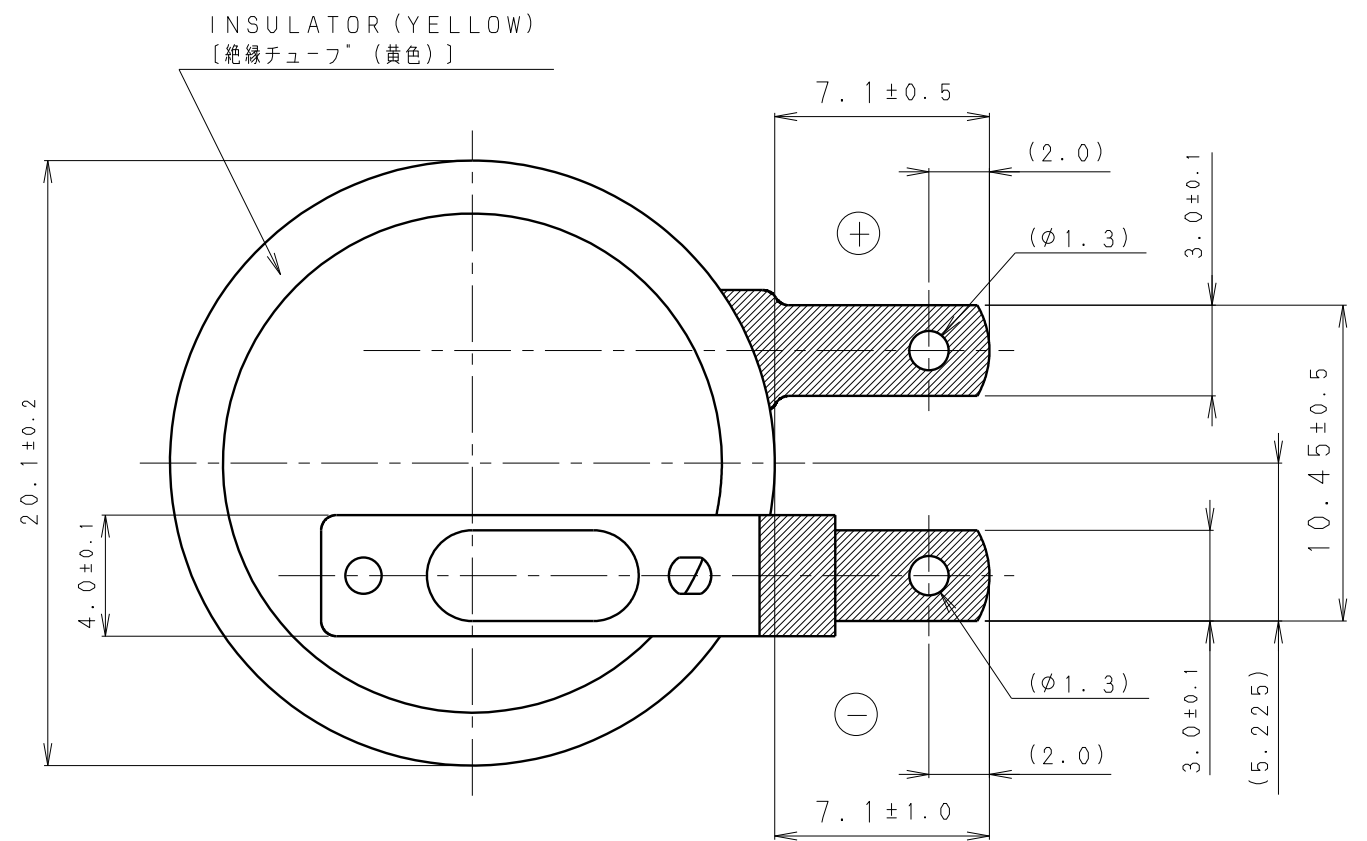


* NOTE [注記]

1. TAB PULLING STRENGTH OVER 14.7N [端子溶接強度: 14.7N以上]
2. TAB MATERIAL: STAINLESS STEEL WITH TIN PLATING [端子材料: 基材 ステンレス/表面 部分Snメッキ]
3. (): REFERENCE DIMENSION AND ANGLE [() 寸法、角度は参考値]

| | | | |
|-------------|-------------|-------|---------|
| PRODUCT NO. | CR-2032/F2N | SCALE | 4:1 |
| DRAWING NO. | PMFA6Z | REV. | 0 |
| | | | UNIT:mm |



* NOTE [注記]

1. TAB PULLING STRENGTH OVER 14.7N [端子溶接強度：14.7N以上]
2. TAB MATERIAL: STAINLESS STEEL WITH TIN PLATING [端子材料：基材 ステンレス/表面 部分Snメッキ]
3. () : REFERENCE DIMENSION AND ANGLE [() 寸法、角度は参考値]

| | | | |
|-------------|-------------|-------|---------|
| PRODUCT NO. | CR-2032/F4N | SCALE | 4:1 |
| DRAWING NO. | PMFB6Z | REV. | 0 |
| | | | UNIT:mm |