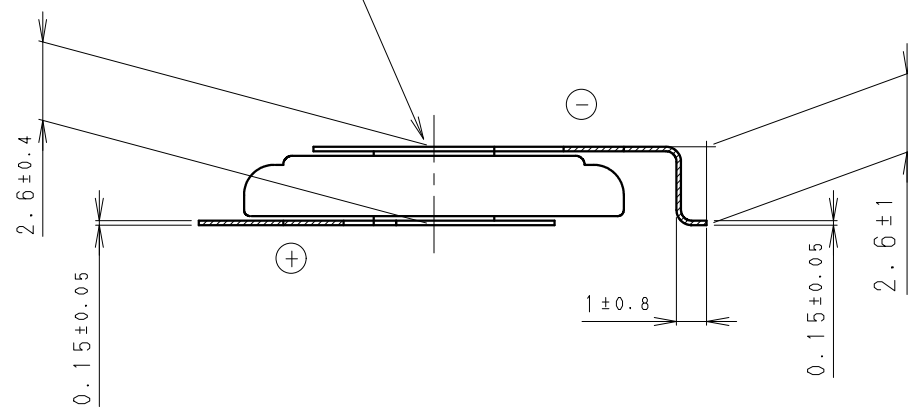


DATE CODE INDICATION
ON THIS SIDE [ロット表示面]



NOTE [注記]

1. TAB WELDING STRENGTH OVER 14.7N [端子溶接強度: 14.7N以上]
2. TAB MATERIAL: STAINLESS STEEL WITH TIN PLATING [端子材料: 基材 ステンレス/表面 部分Snめっき]
3. (): REFERENCE DIMENSION AND ANGLE [() 寸法、角度は参考値]

PRODUCT NO.	ML-1220/F1AN	SCALE	4:1
DRAWING NO.	JEFF6Z		UNIT: mm