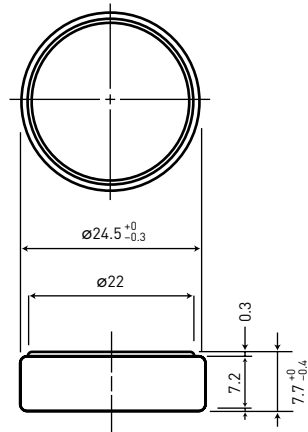


BR-2477A

DIMENSIONS (MM)



Model number	BR-2477A
Nominal voltage (V)	3
Nominal capacity (mAh)	1,000
Diameter (mm)	24.5
Total height (mm)	7.7
Discharging temperature range (°C)	-40 to +125
Weight (g)	8.0

DISCHARGE TEMPERATURE CHARACTERISTICS

