

H																
Cell size	No	P/N	Fig	Insulating tube	A	B	C	D	E	F	G	H	I	J	K	L
1220	4	BR-1220/HFN	1	yes	12.6 ± 0.2	4 ± 0.1	13.5 ± 1	10 ± 1	7.7 ± 0.8	5.05 ± 0.8	0.2 ± 0.05	3.5 ± 0.5	0.75 ± 0.1	3.5 ± 0.5	0.75 ± 0.1	
1225	6	BR-1225/H1AN	1	yes	12.6 ± 0.2	4 ± 0.1	13 ± 1	10 ± 1	8.2 ± 0.8	5.05 ± 0.8	0.2 ± 0.05	3.5 ± 0.5	0.75 ± 0.1	3.5 ± 0.5	0.75 ± 0.1	
1632	9	BR-1632/HFN	1	yes	16.1 ± 0.2	4 ± 0.1	16.5 ± 1	15.2 ± 1	8.8 ± 0.8	5.05 ± 0.8	0.15 ± 0.05	3.5 ± 0.5	0.75 ± 0.1	3.5 ± 0.5	0.75 ± 0.1	
2032	15	BR-2032/HFN	1	yes	20.1 ± 0.2	4 ± 0.1	20.5 ± 1	20.5 ± 1	9.1 ± 0.8	5.25 ± 0.8	0.2 ± 0.05	3.5 ± 0.5	0.75 ± 0.1	3.5 ± 0.5	0.75 ± 0.1	
2325	18	BR-2325/HCN	2	yes	22.7 ± 0.2	4 ± 0.1	(1.625)	24 ± 1	20.5 ± 1	9.9 ± 0.8	6.75 ± 0.8	0.2 ± 0.05	5 ± 0.5	0.75 ± 0.1	5 ± 0.5	0.75 ± 0.1
2330	21	BR-2330/HFN	1	yes	23.1 ± 0.2	4 ± 0.1	24 ± 1	20.5 ± 1	8.9 ± 0.8	5.25 ± 0.8	0.2 ± 0.05	3.5 ± 0.5	1.8 ± 0.1	3.5 ± 0.5	1.8 ± 0.1	
3032	27	BR-3032/HMK	1	yes	30.1 ± 0.2	4 ± 0.1	31.5 ± 2	33.4 ± 2	12.4 ± 1.5	8.5 ± 1.5	0.2 ± 0.05	3.5 ± 0.5	1.8 ± 0.1	3.5 ± 0.5	1.8 ± 0.1	

Fig1

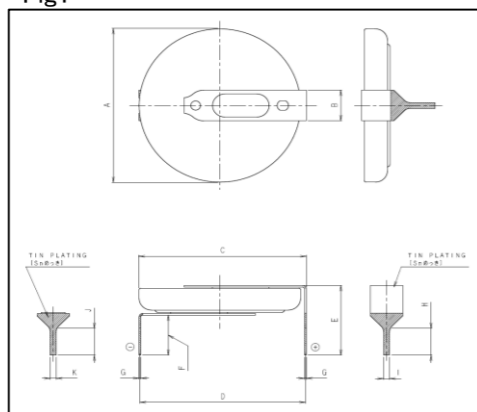


Fig2

