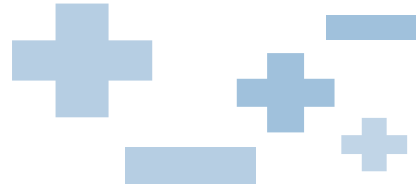


FIAMM

Industrial Batteries

FGH

series



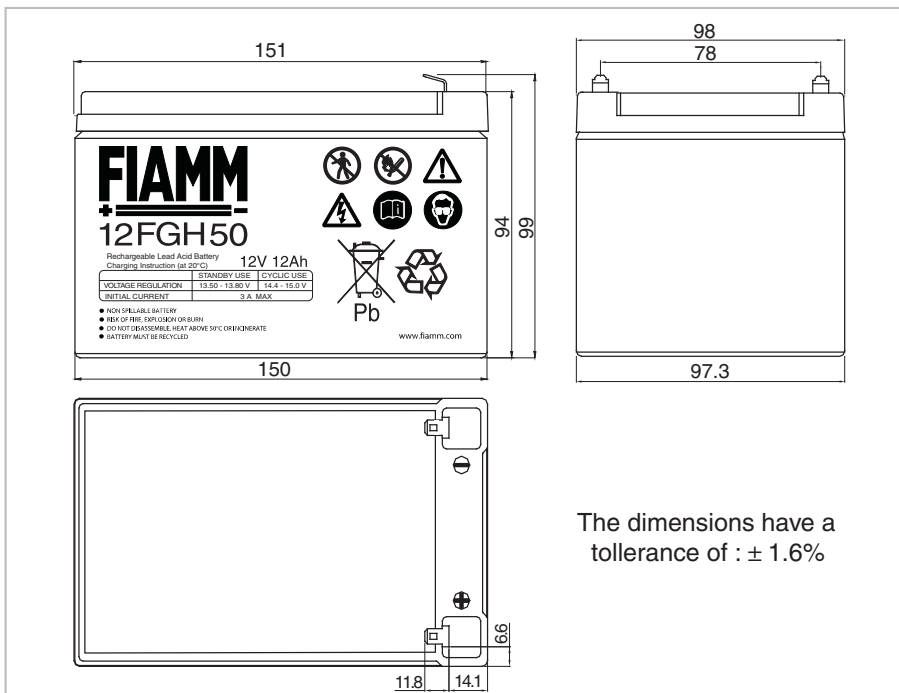
12FGH50

12 Volt 12 Ah

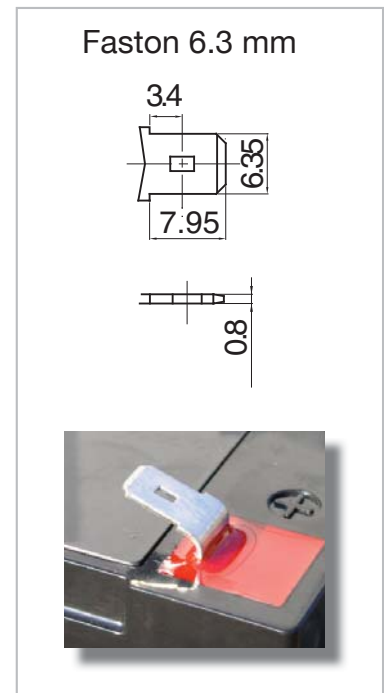
Fiamm 12FGH50, is an high rate battery specifically designed for UPS applications. Fiamm FGH range of batteries ensure the correct battery is supplied to the appropriate application. FIAMM is a Manufacturer of VRLA batteries and is supported by a dedicated sales network with market knowledge and experience of small sealed lead acid battery applications.

Features

Nominal Voltage	12 Volt
Nominal Capacity	50.7 W @ 15 min-rate to 1.6 Vpc at 25 °C 12.0 Ah 20 hours rate to 1.75 Vpc at 25 °C
Float charging voltage	13.50 - 13.80 V/bloc at 25 °C
Boost charge voltage	14.40 - 15.00 V/bloc at 25 °C
Float voltage compensation	-18mV/°C
Maximum charging current	3.00 A
Case	ABS with HB flammability rate (according UL 94)
Internal resistance	14.8 mΩ in full charged condition
Weight	4.10 kg
Dimensions	L x W x H (TH): 151 x 98 x 94 (99)
Operative temperature range	-20 °C to 50 °C
Shelf life procedures	As batteries lose part of their capacity, during storage, due to self discharge. Fiamm recommends FGH range of batteries can be stored for 6 months at an ambient temperature of 20 and 25 °C (see attached graph on reverse). Longer storage requires a recharge. This should be carried out in line with Fiamm recommended method; 2.4 V/cell for no longer than 24 hours at 20 °C



The dimensions have a tolerance of : ± 1.6%



SSLA Products

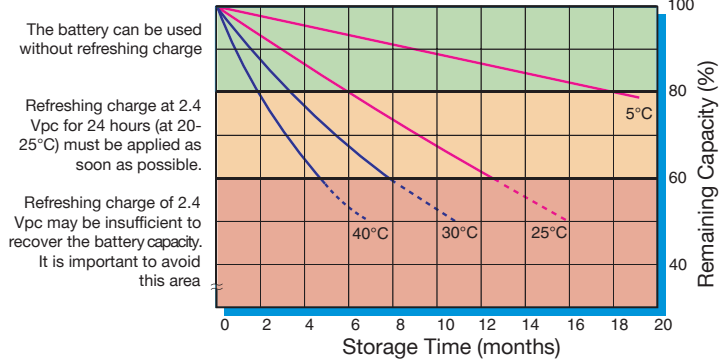
12FGH50

12 Volt

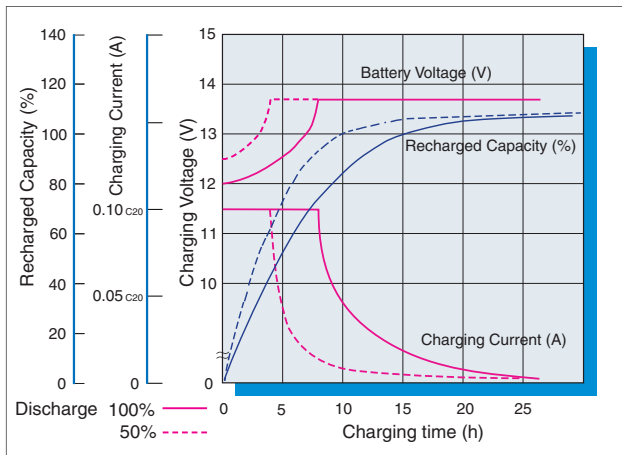
12 Ah



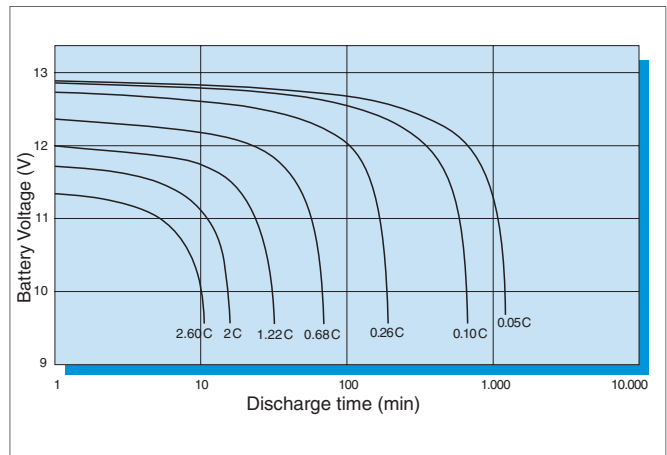
Capacity loss during storage at various temperatures



Battery Voltage and Charge Time for Standby Use (at 25°C)



Discharge curves at different current / final voltage (at 25°C)



Constant Current discharge table (Amperes)

End voltage	5 min	10 min	15 min	20 min	30 min	45 min	1 hour	2 hrs	3 hrs	5 hrs
9.60 V	57.0	39.0	29.0	23.1	16.5	11.6	8.52	4.60	3.24	2.08
9.90 V	56.5	38.5	28.7	22.8	16.4	11.5	8.46	4.56	3.21	2.06
10.02 V	56.2	38.3	28.5	22.7	16.3	11.5	8.42	4.54	3.20	2.05
10.20 V	55.7	37.9	28.1	22.5	16.2	11.4	8.36	4.49	3.17	2.04
10.50 V	54.6	37.1	27.4	22.0	15.9	11.2	8.22	4.38	3.10	2.01
10.80 V	53.0	36.0	26.5	21.4	15.5	11.0	8.07	4.31	2.99	1.90

Constant Power discharge table (Watts per bloc)

End voltage	5 min	10 min	15 min	20 min	30 min	45 min	1 hour	2 hrs	3 hrs	5 hrs
9.60 V	569	399	304	246	180	129	95.8	52.4	37.2	24.0
9.90 V	567	398	303	245	179	128	95.5	52.2	37.0	23.9
10.02 V	565	396	301	244	179	128	95.2	51.9	36.9	23.9
10.20 V	560	393	298	242	178	127	94.5	51.5	36.6	23.8
10.50 V	551	386	292	237	175	126	93.3	50.6	36.1	23.5
10.80 V	538	375	284	233	172	124	91.9	49.9	34.9	22.4