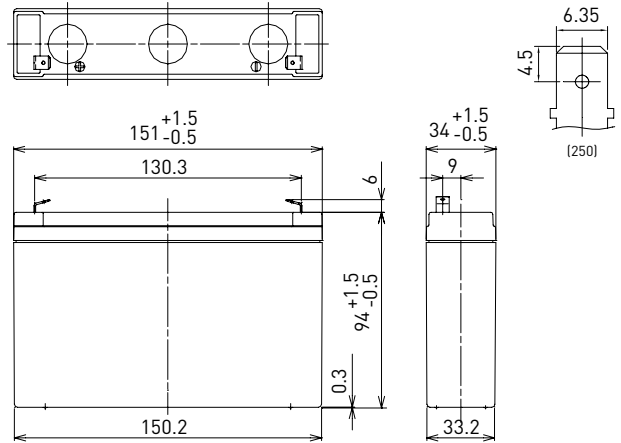


UP-VW0645P1

FOR STANDBY POWER SUPPLIES.
 EXPECTED TRICKLE DESIGN LIFE: 6 - 9 YEARS AT 20°C
 ACCORDING TO EUROBAT.

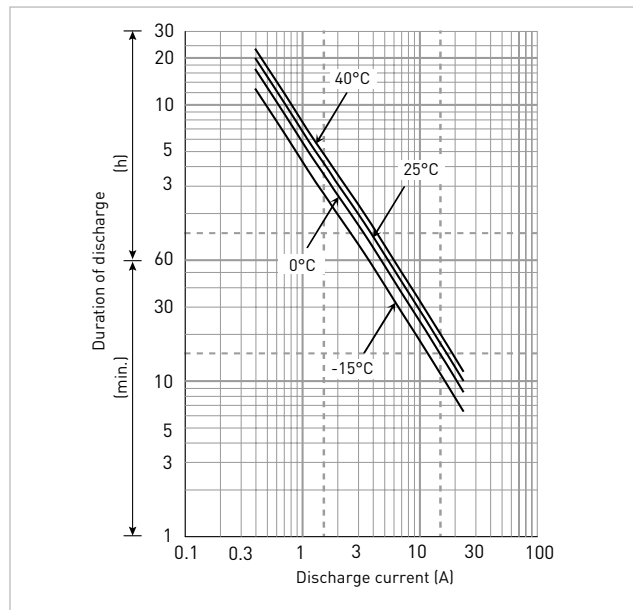
DIMENSIONS (MM)



Contents indicated (including the recycle marking, etc.) are subject to change without notice. Battery case resin: flame-retardant (UL94 V-0)

Specifications		UP-VW0645P1
Nominal voltage (V)		6
Rated power	10 minutes rate (W)	135
Nominal capacity	20 hours rate (Ah)	7.8
Dimensions	Length (mm)	34
	Width (mm)	151
	Total height (mm)	100
Approx. mass (kg)		1.30
Terminal type		Faston 250
Power (25°C)	30 minutes rate (W)	56.0
	15 minutes rate (W)	98
	10 minutes rate (W)	135
	5 minutes rate (W)	205
Impedance (mΩ)	Fully charged battery (25°C)	10
Temperature dependency of capacity (%) – 20 hours rate	40°C	102
	25°C	100
	0°C	85
	-15°C	65
Remaining capacity (25°C)	After 3 months (%)	91
	After 6 months (%)	82
	After 12 months (%)	64

DURATION OF DISCHARGE VS. DISCHARGE CURRENT



WATT TABLE (25°C)

(Wattage/battery)

Cut-off	3min.	5min.	10min.	15min.	20min.	30min.	45min.	1h	1.5h	2h	3h	4h	5h	6h	10h	20h
4.80V	265	205	135	97.5	79.5	56.0	41.1	32.8	22.6	17.5	13.0	9.99	8.25	6.63	4.39	2.38
4.95V	254	200	131	97.2	78.9	55.9	40.8	32.5	22.1	17.3	12.9	9.92	8.18	6.60	4.37	2.37
5.10V	245	195	129	96.5	78.0	55.5	40.4	32.2	21.7	16.9	12.8	9.86	8.12	6.55	4.33	2.37
5.25V	231	180	123	93.4	75.4	55.0	39.3	31.5	20.8	16.4	12.6	9.85	8.07	6.48	4.31	2.36
5.40V	217	165	117	90.0	73.0	54.5	39.1	30.9	20.6	15.5	12.4	9.66	7.85	6.37	4.26	2.35

AMPERE TABLE (25°C)

(Ampere/battery)

Cut-off	3min.	5min.	10min.	15min.	20min.	30min.	45min.	1h	1.5h	2h	3h	4h	5h	6h	10h	20h
4.80V	47.7	36.8	23.9	17.0	13.7	9.57	6.99	5.57	3.82	2.95	2.19	1.67	1.38	1.11	0.732	0.397
4.95V	45.8	35.9	23.5	16.9	13.6	9.55	6.95	5.50	3.75	2.93	2.17	1.66	1.37	1.10	0.729	0.396
5.10V	44.1	35.0	23.0	16.8	13.5	9.49	6.88	5.46	3.67	2.86	2.15	1.65	1.36	1.09	0.721	0.394
5.25V	41.6	32.3	22.0	16.3	13.0	9.40	6.70	5.35	3.53	2.77	2.11	1.64	1.35	1.08	0.718	0.393
5.40V	39.0	29.6	20.9	15.7	12.6	9.32	6.67	5.25	3.50	2.62	2.08	1.62	1.31	1.06	0.710	0.391

All mentioned values are average values

UP-VW0645P1

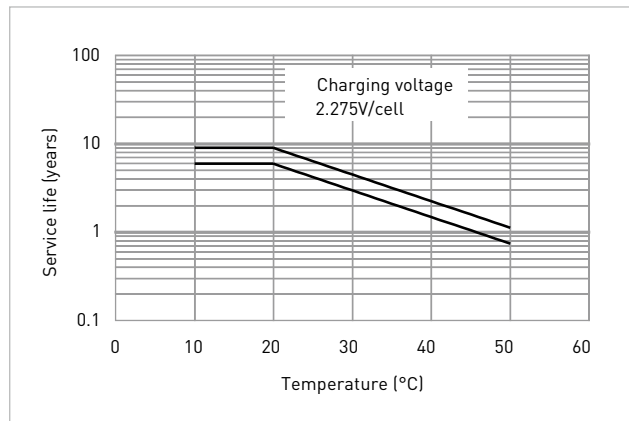
CHARGING METHOD (25°C)

Cycle use	Control voltage: 6.80V - 6.90V Initial current: 1.20A or smaller
------------------	---

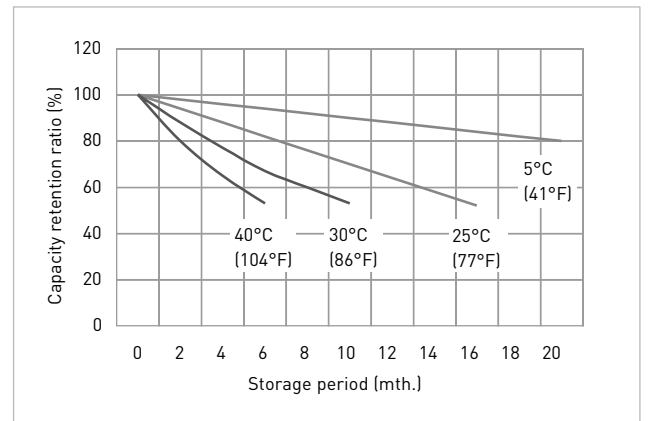
CUT-OFF VOLTAGE

Discharge current	0.400A - 1.60A	1.60A - 4.00A	4.00A - 8.00A	8.00A - 16.0A	16.0A - 24.0A
Cut-off voltage	5.25V	5.10V	4.95V	4.65V	4.35V

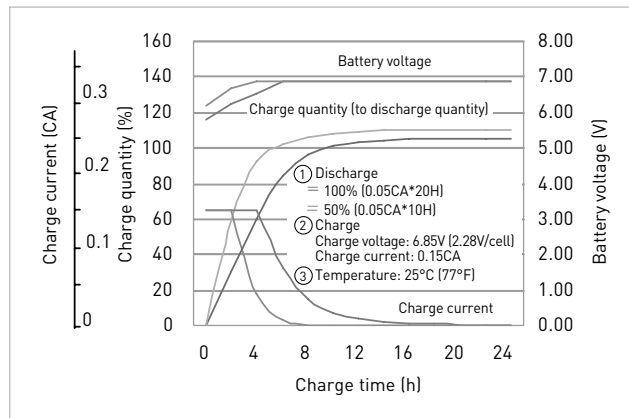
INFLUENCE OF TEMPERATURE ON TRICKLE LIFE



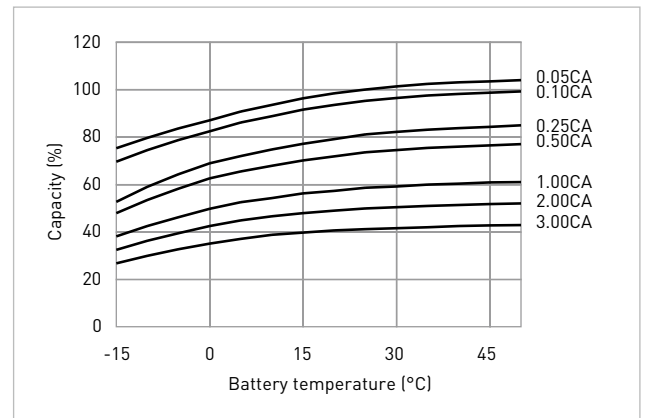
RESIDUAL CAPACITY TEST RESULT



CONSTANT-VOLTAGE CONSTANT-CURRENT CHARGE CHARACTERISTICS FOR TRICKLE USE



DISCHARGE CAPACITY BY TEMPERATURE AND BY DISCHARGE CURRENT



DISCHARGE CHARACTERISTICS

