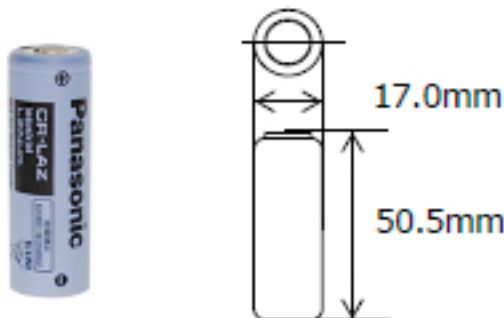


CR-LAZ

CR Cylindrical-type Lithium Battery (Long life type)



Features & Benefits

- Long-term reliability is suitable for outdoor devices which are difficult to maintenance such as to change batteries.
- Superior high-rate discharging characteristics are suitable for various IoT devices with wireless communication functions.
- Large capacity enables a long-term use.

Applications

Smoke detectors, Meters, IoT devices, Home security and others.

Specifications

Nominal voltage		3V
Nominal capacity		3,000mAh
Continuous drain		2.5mA
Maximum pulse discharge current		3A
Dimensions*1	Diameter(Max.)	17.0mm
	Height(Max.)	50.5mm
Weight*1		Approx. 26.0g
Operating temperature		-40°C to +85°C*2

*1 Without tabs.

*2 Please consult Panasonic when anticipating usage in operating temperature 70°C or above.

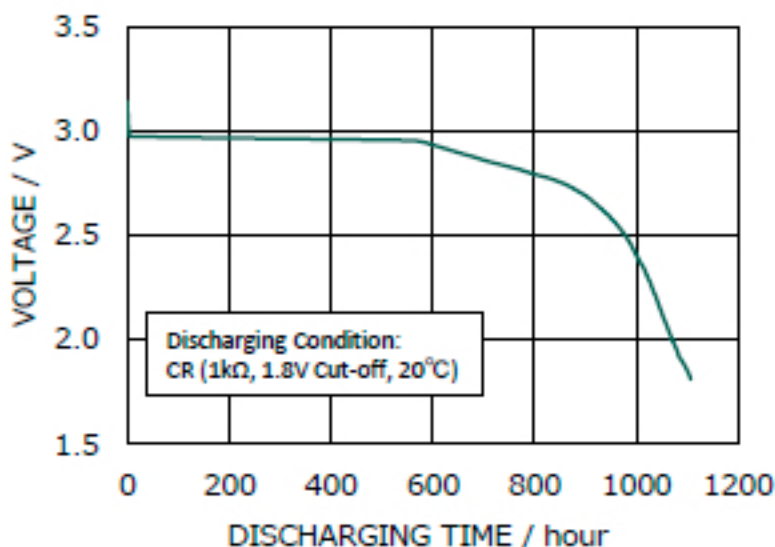
Terminal types

Please see the documents for the terminal and lead wire settings.

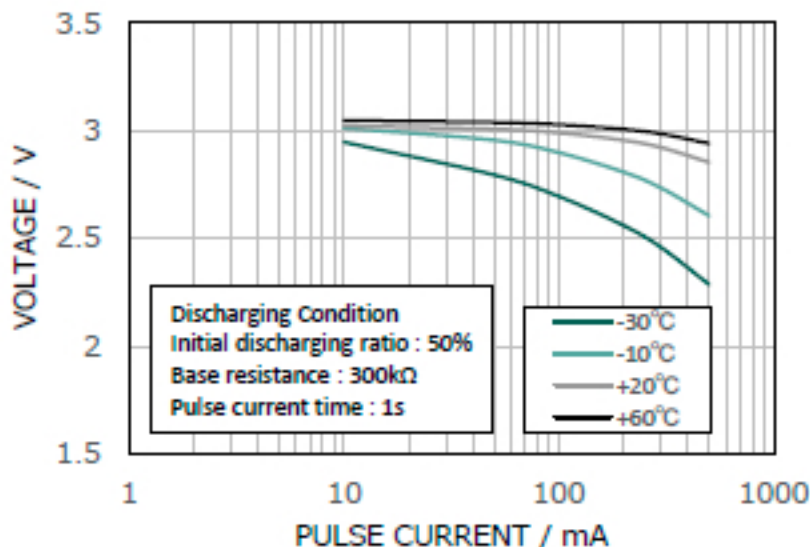
- [Line up of tab terminal types\(by shape\)](#)

- [Line up of tab terminal types\(by product number\)](#)

Discharging Characteristic



Pulse Discharging Characteristic



Distributor:



ACTEC A/S | Tel: (+45) 8711 9999 | www.actec.dk

Panasonic Energy Co., Ltd.

<https://industrial.panasonic.com/ww/products/pt/lithium-batteries>

As of April, 2024. Panasonic offers batteries with tabs or lead wires. This data in this document is for descriptive purposes only and is not intended to make or imply any guarantee or warranty. The contents of this product information are subject to change without notice.

