

V																
Cell size	No	P/N	Fig	Insulating tube	A	B	C	D	E	F	G	H	I	J	K	L
1220	3	BR-1220/VCN	1	yes	12.6 ± 0.2	1.5 ± 0.8	(1.625)	3.25 ± 0.5	0.75 ± 0.1	0.75 ± 0.1	5 ± 0.3	(4.5)	3.5 ± 0.3	(4.5)	0.2 ± 0.05	2.45 ± 0.8
1225	6	BR-1225/VCN	1	yes	12.6 ± 0.2	1.5 ± 0.5	(1.625)	3.25 ± 0.5	0.75 ± 0.1	0.75 ± 0.1	5 ± 0.5	(8)	5 ± 0.5	(8)	0.2 ± 0.05	2.95 ± 1
1632	9	BR-1632/V1AN	1	yes	16.1 ± 0.2	1.5 ± 0.5	(1.25)	2.875 ± 0.5	1.5 ± 0.1	0.75 ± 0.1	3.5 ± 0.5	(4.5)	3.5 ± 0.5	(4.5)	0.2 ± 0.05	3.65 ± 1
2032	15	BR-2032/VS1N	3	yes	20.1 ± 0.2	0.2 ± 0.5	(4.825)	10.17 ± 0.5	1.8 ± 0.1	0.75 ± 0.1	4 ± 0.5	4 ± 0.5	4 ± 0.1	0.2 ± 0.05	3.85 +0.5 -1.5	
2325	17	BR-2325/VCN	3	yes	22.8 ± 0.2	1.7 ± 0.5	(5.35)	10.7 ± 0.5	0.75 ± 0.1	0.75 ± 0.1	5 ± 0.5	5 ± 0.5	4 ± 0.1	0.2 ± 0.05	2.95 +0.5 -1.5	
2330	18	BR-2330/VC1K	3	yes	23.1 ± 0.2	1.5 ± 0.5	(4.825)	10.17 ± 0.5	1.8 ± 0.1	0.75 ± 0.1	5 ± 0.5	5 ± 0.5	4 ± 0.1	0.2 ± 0.05	3.65 +0.5 -1.5	
3032	26	BR-3032/VCN	3	yes	30.1 ± 0.2	1.5 ± 0.5	(4.325)	9.15 ± 0.5	2.8 ± 0.1	1.8 ± 0.1	5 ± 0.5	5 ± 0.5	4 ± 0.1	0.2 ± 0.05	3.9 +0.5 -1.5	

Fig1

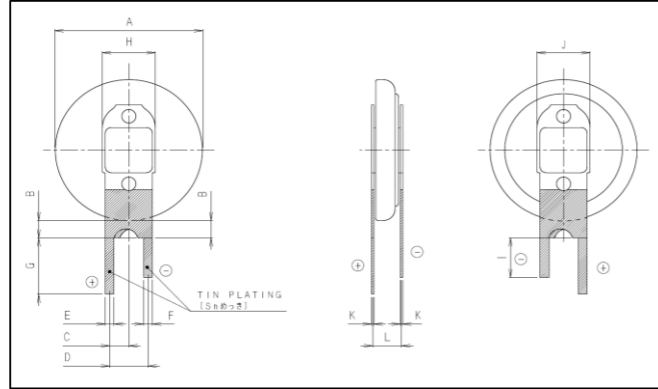


Fig2

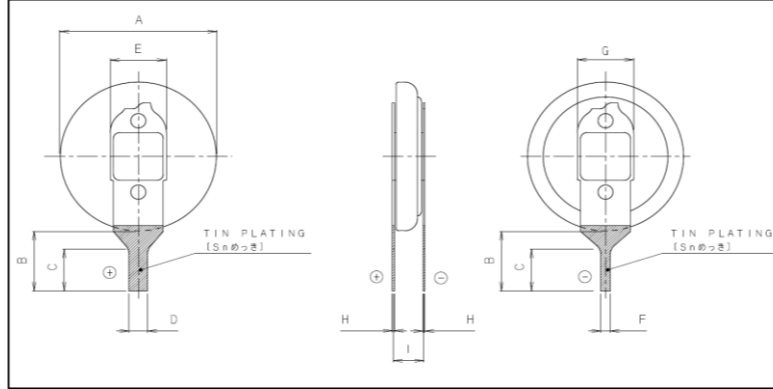


Fig3

