

WP1250 12Volt 2.0Ah

(Thermal Protector)

Specifications

Nominal Voltage(V) **12V**

Nominal Capacity

20 hour rate	(0.10A	to	10.50V)	2.0Ah
10 hour rate	(0.19A	to	10.50V)	1.9Ah
5 hour rate	(0.34A	to	10.20V)	1.7Ah
1 C	(2.0A	to	9.60V)	0.9Ah

Weight **Approx. 650g(1.43Lbs.)**

Internal Resistance (at 1KHz) **Approx. 105mΩ**

Maximum Temperature Resistance **70**

Maximum Current Resistance **10A**

Charging Methods at 25 (77)

Cycle use:

Charging Voltage **14.4 to 15.0V**

Coefficient -5.0mv/ /cell

Maximum Charging Current : **0.6A**

Standby use:

Float Charging Voltage **13.50 to 13.80V**

Coefficient -3.0mv/ /cell

Operating Temperature Range

Charge **-15 (5) to 40 (104)**

Discharge **-15 (5) to 50 (122)**

Storage **-15 (5) to 40 (104)**

Charge Retention (shelf life) at 20 (68)

1 month **92%**

3 month **90%**

6 month **80%**

Case Material **ABS**

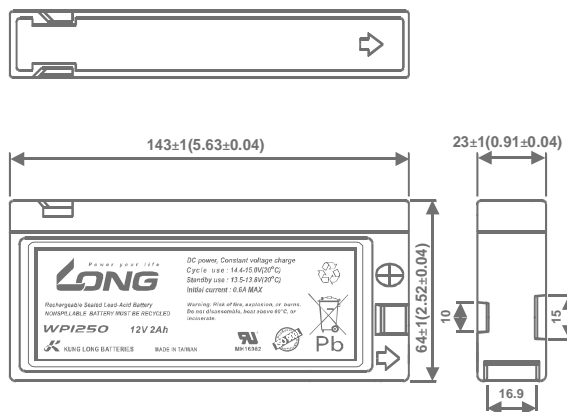
(Option: UL94 HB & UL94 V-0 flame retardant)

Terminal **F13**

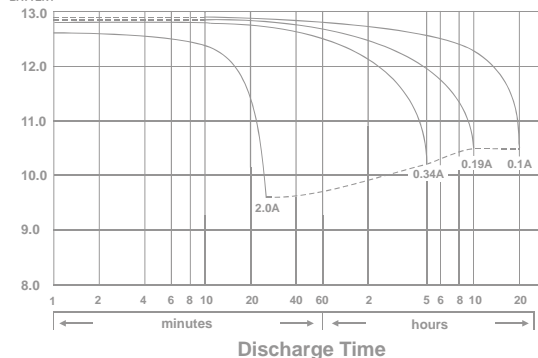


Dimensions

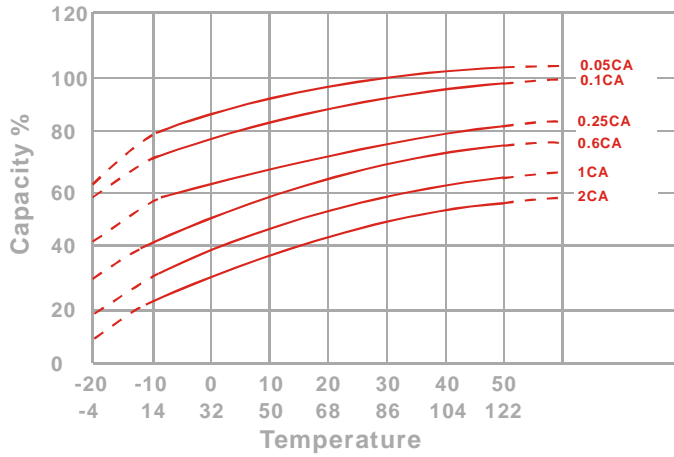
mm(inch)



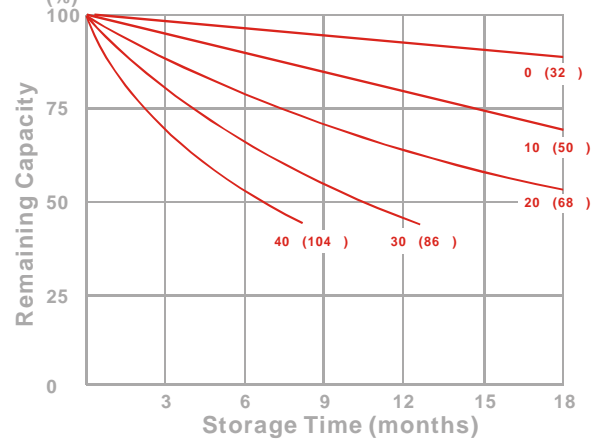
Discharge Time VS. Discharge Current (25)



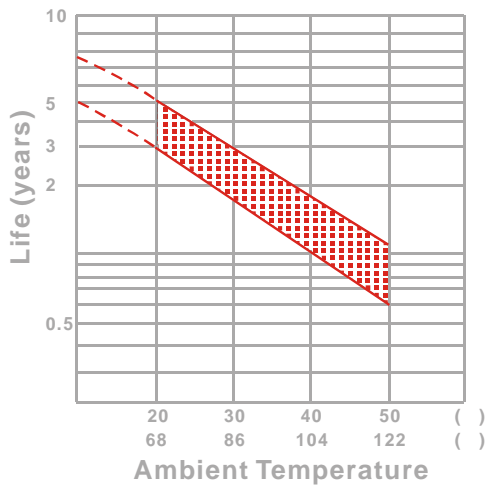
Effect of Temperature on Capacity 25 (77)



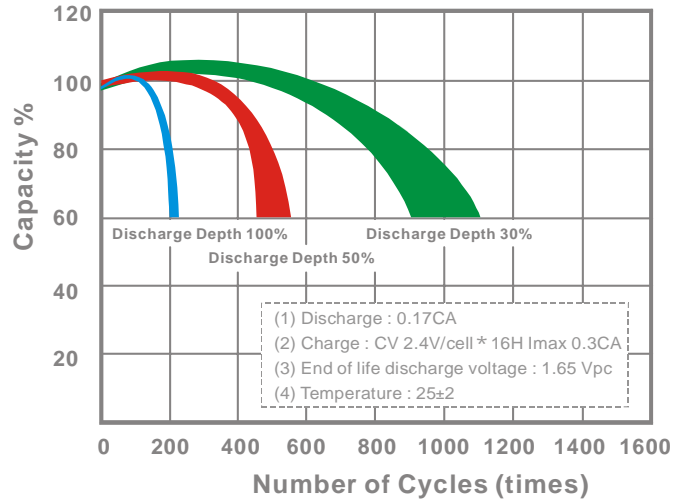
Capacity Retention Characteristic



Trickle (or float) Service Life



Cycle Service Life



280113-1A